

# SERVICE MANUAL

---

COLOR TELEVISION

---

- This Service Manual is the "Revision Publishing" and replaces "Simple Manual" (S/M Code No. 09-002-429-7T1).
- This Service Manual does not include "DISASSEMBLY INSTRUCTIONS" and "ADJUSTMENT". These items will be issued in the next Supplement.

## SPECIFICATIONS

|                              |  |
|------------------------------|--|
| <b>Tuner System</b>          | Frequency synthesized tuner  |
| <b>TV System</b>             | PAL (B/G, H, I, D/K)<br>SECAM (B/G, I, D/K, K1)<br>NTSC (M)  |
| <b>Channel Coverage</b>      | VHF: E2 to E12, R1 to R12<br>UHF: 21 to 69<br>CATV: S1 to S41  |
| <b>Program Memory</b>        | 100 TV stations  |
| <b>Antenna Input</b>         | 75 ohms, unbalanced  |
| <b>Picture Tube</b>          | 21"  |
| <b>Screen Size</b>           | 406 (W) X 305 (H) mm<br>(16 X 12 <sup>1</sup> / <sub>8</sub> in.)<br>508 mm (diagonal) (20 in.)  |
| <b>Video Input / Output</b>  | 1 Vp-p 75 ohms   |
| <b>Audio Input</b>           | -8 dBs., more than 33 k ohms   |
| <b>Audio Output</b>          | -8 dBs., less than 2.2 k ohms<br>7 W + 7 W (10 % Harmonic distortion)  |
| <b>Speaker</b>               | 60 X 120 mm (2 <sup>3</sup> / <sub>8</sub> X 4 <sup>3</sup> / <sub>4</sub> in.)  |
| <b>Operating Voltage</b>     | 110 - 240 V AC, 50 / 60 Hz   |
| <b>Power Consumption</b>     | 98 W (Standby mode: 9W)  |
| <b>Phones Jack</b>           | Stereo-mini jack   |
| <b>Operating Temperature</b> | 5 °C – 40 °C   |
| <b>Operating Humidity</b>    | 35 % – 80 %  |
| <b>Dimensions</b>            | 610 (W) X 440 (H) X 485 (D) mm<br>(24 <sup>1</sup> / <sub>8</sub> x 17 <sup>3</sup> / <sub>8</sub> x 19 <sup>1</sup> / <sub>8</sub> in.) |
| <b>Weight</b>                | 26.5 kg (58.3 lbs.)  |

- The word "BBE" and the "BBE symbol" are trademarks of BBE Sound, Inc.  
Under license from BBE Sound, Inc.
- Design and specifications are subject to change without notice.

## ACCESSORIES / PACKAGE LIST

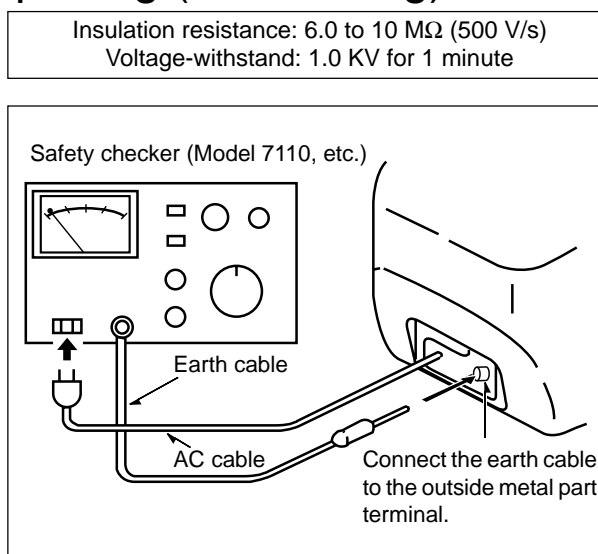
| REF. NO. | PART NO.       | KANRI NO.                     | DESCRIPTION |
|----------|----------------|-------------------------------|-------------|
| 1        | 8A-JEA-951-010 | RC UNIT, RC-ZVT25             |             |
| 2        | 8A-JEH-901-010 | IB, SH/SHR (E/CH/A/P) -FS2180 |             |
| 3        | 8A-JEH-902-010 | WARR-CARD, FS2180             |             |
| 4        | 86-LB3-610-010 | ANT ASSY, TV 5 SEC. ( PAL)    |             |

## NOTICES BEFORE REPAIRING

### To make the best use of this equipment, make sure to obey the following items when repairing (or mending).

1. Do not damage or melt the tunicate of the leading wire on the AC1 side, including the power supply cord.
2. Do not soil or stain the letters on the spec. inscription plates, notice labels, fuse labels, etc.
3. When repairing the part extracted from the conducted side of the board pattern, fix it firmly with applying bond to the pattern and the part.
4. Restore the following items after repairing.
  - 1) Conditions of soldering of the wires (especially, the distance on the AC1 side).
  - 2) Conditions of wiring, bundling of wires, etc.
  - 3) Types of the wires.
  - 4) Attachment conditions of all types of the insulation.
5. After repairing, always measure the insulation resistance and perform the voltage-withstand test (See Fig-1).
  - 1) The insulation resistance must be 6.0 to 10 M $\Omega$  when applying 500V per second.
  - 2) In the voltage withstand test, apply 1.0 KV for 1 minute and check that the GO lamp lights.

- \* Breaking current set to 10 mA.
- \* Connect the safety checker as shown in Fig-1, then measure the resistance and perform the test.
- \* Do not touch the equipment during testing.
- \* For details of the safety checker, refer to the supplied Operation manual.



### When servicing and checking on the TV, note the followings.

1. Keep the notices.

As for the places which need special attentions, they are indicated with labels or seals on the cabinet, chassis and parts. Make sure to keep the indications and notices in the operation manual.
2. Avoid an electric shock.

There is a high voltage part inside. Avoid an electric shock while the electric current is flowing.
3. Use the designated parts.

The parts in this equipment have the specific characteristics of incombustibility and withstand voltage for safety.  
Therefore, use a part which has the same character as the replaced part. Especially as to the important parts for safety which is indicated in the circuit diagram or the table of parts with a  $\Delta$  mark, the designated parts must be used.
4. Put parts and wires in the original position after assembling or wiring.

There are parts which use the insulation material such as a tube or tape for safety, or which are assembled so that these parts do not make contact with the printed board. The inside wiring is designed
5. not to get close to the pyrogenic parts and high voltage parts. Therefore, put these parts in the original positions.
5. Take care of the cathode-ray tube.

By setting an explosion-proof cathode-ray tube in this equipment, safety is secured against implosion. However, when removing it or servicing from the back, it gives out shock that is dangerous. Take enough care to deal with it.
6. Avoid an X-ray.

Safety is secured against an X-ray by giving considerations to the cathode-ray tube and the high voltage peripheral circuit, etc. Therefore, when repairing the high voltage peripheral circuit, use the designated parts and do not change the circuit. Repairing, except indicates, causes rising of high voltage, and the cathode-ray tube emits an X-ray.
7. Perform a safety check after servicing.

Confirm that the screws, parts and wiring which were removed in order to service are put in the original positions, or whether there are deteriorated portions around the places serviced.

### Safety Components Symbol

This symbol is given to important parts which serve to maintain the safety of the product, and which are made to confirm to special Safety Specifications.  
Therefore, when replacing a component with this symbol make absolutely sure that you use a designated part.

# ELECTRICAL MAIN PARTS LIST

| REF. NO.          | PART NO.       | KANRI NO. | DESCRIPTION            | REF. NO. | PART NO.       | KANRI NO. | DESCRIPTION            |
|-------------------|----------------|-----------|------------------------|----------|----------------|-----------|------------------------|
| <b>IC</b>         |                |           |                        |          |                |           |                        |
|                   | 8A-JEH-651-010 |           | IC,TMP87CP38N-1H17(Z)  | C10      | 87-018-119-080 |           | CAP, CER 100P-50V      |
|                   | 87-A21-133-080 |           | IC,BMR-0101D           | C11      | 87-018-119-080 |           | CAP, CER 100P-50V      |
|                   | 87-A91-538-010 |           | RCR UNIT,SBX1981-72P   | C13      | 87-010-405-080 |           | CAP, ELECT 10-50V      |
|                   | 87-A21-433-010 |           | IC,KS24C041I           | C14      | 87-018-129-080 |           | CAP, CER 680P-50V      |
|                   | 87-027-666-010 |           | IC,TC4052BP            | C15      | 87-018-149-080 |           | CAP,TC-U 15P-50 CH     |
|                   | 87-A21-723-010 |           | IC,TB1240AN AJE-H      | C16      | 87-018-149-080 |           | CAP,TC-U 15P-50 CH     |
|                   | 87-A21-166-010 |           | IC,TA1275AZ            | C17      | 87-010-404-080 |           | CAP, ELECT 4.7-50V     |
|                   | 87-A21-259-010 |           | IC,MM1454XD            | C101     | 87-010-404-080 |           | CAP, ELECT 4.7-50V     |
|                   | 87-A21-345-010 |           | IC,NJM2150             | C102     | 87-018-134-080 |           | CAPACITOR,TC-U 0.01-16 |
|                   | 87-A20-312-010 |           | IC,M62420SP            | C103     | 87-010-384-080 |           | CAP, ELECT 100-25V     |
|                   | 87-A21-299-010 |           | IC,LA6458SLL           | C104     | 87-018-134-080 |           | CAPACITOR,TC-U 0.01-16 |
|                   | 87-A21-169-010 |           | IC,MM1124B             | C105     | 87-010-263-080 |           | CAP, ELECT 100-10V     |
|                   | 87-A21-283-010 |           | IC,AN5277              | C106     | 87-A10-207-080 |           | CAP,TCS 0.01-50KBUP050 |
|                   | 87-070-237-010 |           | IC,LA7832              | C107     | 87-018-134-080 |           | CAPACITOR,TC-U 0.01-16 |
|                   | 87-070-417-010 |           | IC,NJM4558 DD          | C108     | 87-018-132-080 |           | CAP, CER 2200P-16V     |
|                   | 87-A21-261-010 |           | IC,MSP3417D            | C110     | 87-018-132-080 |           | CAP, CER 2200P-16V     |
|                   | 87-A21-344-010 |           | IC,STR-F6656           | C111     | 87-018-132-080 |           | CAP, CER 2200P-16V     |
|                   | 87-020-903-010 |           | IC,NJM7805FA           | C113     | 87-010-260-080 |           | CAP, ELECT 47-25V      |
|                   | 87-A21-366-010 |           | IC,NJM7809FA(A)        | C116     | 87-010-260-080 |           | CAP, ELECT 47-25V      |
|                   |                |           |                        | C117     | 87-018-134-080 |           | CAPACITOR,TC-U 0.01-16 |
| <b>TRANSISTOR</b> |                |           |                        |          |                |           |                        |
|                   | 87-A30-090-080 |           | FET,2SK2541            | C121     | 87-018-134-080 |           | CAPACITOR,TC-U 0.01-16 |
|                   | 87-A30-091-080 |           | FET,2SJ460             | C122     | 87-010-260-080 |           | CAP, ELECT 47-25V      |
|                   | 89-337-794-580 |           | TR,2SC3779 D/E         | C123     | 87-018-134-080 |           | CAPACITOR,TC-U 0.01-16 |
|                   | 87-A30-066-080 |           | TR,2SA1175FE           | C124     | 87-010-401-080 |           | CAP, ELECT 1-50V       |
|                   | 87-A30-065-080 |           | TR,2SC2785FE           | C125     | 87-018-134-080 |           | CAPACITOR,TC-U 0.01-16 |
|                   | 89-109-504-080 |           | TR,2SA950Y             | C126     | 87-010-544-080 |           | CAP, ELECT 0.1-50V     |
|                   | 87-026-218-080 |           | TR,DTC144ES (0.2W)     | C127     | 87-018-119-080 |           | CAP, CER 100P-50V      |
|                   | 87-A30-121-080 |           | TR,DTC 323 TS          | C128     | 87-018-134-080 |           | CAPACITOR,TC-U 0.01-16 |
|                   | 87-A30-366-010 |           | TR,2SD2580             | C129     | 87-018-134-080 |           | CAPACITOR,TC-U 0.01-16 |
|                   | 89-334-674-580 |           | TR,2SC3467 D/E         | C130     | 87-010-405-080 |           | CAP, ELECT 10-50V      |
|                   | 87-A30-363-010 |           | TR,2SD2531             | C131     | 87-010-405-080 |           | CAP, ELECT 10-50V      |
|                   | 89-324-122-080 |           | TR,2SC2412K            | C132     | 87-010-260-080 |           | CAP, ELECT 47-25V      |
|                   | 87-A21-457-010 |           | TR,SE120N              | C152     | 87-010-384-080 |           | CAP, ELECT 100-25V     |
|                   | 89-110-155-080 |           | TR,2SA1015             | C301     | 87-010-545-080 |           | CAP, ELECT 0.22-50V    |
|                   | 87-A30-344-010 |           | TR,2SC5147D            | C302     | 87-018-132-080 |           | CAP, CER 2200P-16V     |
| <b>DIODE</b>      |                |           |                        |          |                |           |                        |
|                   | 87-070-345-080 |           | DIODE,IN4148           | C303     | 87-018-148-080 |           | CAP,TC-U 12P-50 CH     |
|                   | 87-A40-347-080 |           | ZENER,MTZJ2.2B         | C307     | 87-018-134-080 |           | CAPACITOR,TC-U 0.01-16 |
|                   | 87-070-444-080 |           | ZENER,HZS33-1          | C308     | 87-016-251-080 |           | CAP, ELECT 220-16V     |
|                   | 87-A40-235-080 |           | ZENER,MTZJ9.1C         | C309     | 87-018-147-080 |           | CAP,TC-U 10P-50 CH     |
|                   | 87-A40-350-080 |           | ZENER,MTZJ 4.7C        | C310     | 87-018-147-080 |           | CAP,TC-U 10P-50 CH     |
|                   | 87-070-092-080 |           | DIODE,S5566B           | C311     | 87-018-147-080 |           | CAP,TC-U 10P-50 CH     |
|                   | 87-A40-286-080 |           | DIODE,RGP10JE-5025     | C312     | 87-010-404-080 |           | CAP, ELECT 4.7-50V     |
|                   | 87-A40-794-080 |           | DIODE,EGP20G           | C313     | 87-018-119-080 |           | CAP, CER 100P-50V      |
|                   | 87-A40-735-090 |           | DIODE,ERC06-15         | C314     | 87-010-401-080 |           | CAP, ELECT 1-50V       |
|                   | 87-017-593-090 |           | DIODE,RGP15J           | C315     | 87-018-196-080 |           | CAP, CER 1500P-16V     |
|                   | 87-017-654-060 |           | DIODE,GBU6J            | C316     | 87-010-400-080 |           | CAP, ELECT 0.47-50V    |
|                   | 87-A40-509-080 |           | ZENER,MTZJ6.8C         | C317     | 87-015-997-010 |           | CAP, ELECT 2200-16V    |
|                   | 87-A40-450-090 |           | DIODE,RU 1P            | C318     | 87-018-134-080 |           | CAPACITOR,TC-U 0.01-16 |
|                   | 87-A40-850-090 |           | DIODE,RL4A             | C319     | 87-010-400-080 |           | CAP, ELECT 0.47-50V    |
|                   | 87-A40-354-090 |           | DIODE,UF3GL-6251       | C320     | 87-010-384-080 |           | CAP, ELECT 100-25V     |
|                   | 87-A40-611-080 |           | ZENER,MTZJ3.9B         | C321     | 87-018-134-080 |           | CAPACITOR,TC-U 0.01-16 |
|                   | 87-020-465-080 |           | DIODE,1SS133           | C323     | 87-018-209-080 |           | CAP, CER 0.1-50V       |
|                   |                |           |                        | C324     | 87-018-209-080 |           | CAP, CER 0.1-50V       |
|                   |                |           |                        | C328     | 87-010-400-080 |           | CAP, ELECT 0.47-50V    |
|                   |                |           |                        | C330     | 87-018-134-080 |           | CAPACITOR,TC-U 0.01-16 |
|                   |                |           |                        | C331     | 87-010-248-080 |           | CAP,E 220-10 M 11L SME |
|                   |                |           |                        | C333     | 87-018-134-080 |           | CAPACITOR,TC-U 0.01-16 |
|                   |                |           |                        | C334     | 87-010-263-080 |           | CAP, ELECT 100-10V     |
|                   |                |           |                        | C335     | 87-010-401-080 |           | CAP, ELECT 1-50V       |
|                   |                |           |                        | C336     | 87-018-134-080 |           | CAPACITOR,TC-U 0.01-16 |
| <b>MAIN C.B</b>   |                |           |                        |          |                |           |                        |
| C1                | 87-A11-073-080 |           | CAP,TC U 22P-50 J CH   | C337     | 87-010-401-080 |           | CAP, ELECT 1-50V       |
| C2                | 87-A11-073-080 |           | CAP,TC U 22P-50 J CH   | C338     | 87-010-401-080 |           | CAP, ELECT 1-50V       |
| C3                | 87-010-405-080 |           | CAP, ELECT 10-50V      | C339     | 87-010-263-080 |           | CAP, ELECT 100-10V     |
| C4                | 87-018-134-080 |           | CAPACITOR,TC-U 0.01-16 | C340     | 87-018-134-080 |           | CAPACITOR,TC-U 0.01-16 |
| C5                | 87-010-263-080 |           | CAP, ELECT 100-10V     | C341     | 87-018-134-080 |           | CAPACITOR,TC-U 0.01-16 |
| C6                | 87-018-119-080 |           | CAP, CER 100P-50V      | C344     | 87-010-263-080 |           | CAP, ELECT 100-10V     |
| C7                | 87-010-405-080 |           | CAP, ELECT 10-50V      | C501     | 87-018-195-080 |           | CAP,TC-U 1200P-16      |
| C8                | 87-010-405-080 |           | CAP, ELECT 10-50V      | C503     | 87-010-247-080 |           | CAP, ELECT 100-50V     |
| C9                | 87-018-134-080 |           | CAPACITOR,TC-U 0.01-16 | C504     | 87-A10-282-810 |           | CAP,M 820P-50 J        |
|                   |                |           |                        | C508     | 87-010-402-080 |           | CAP, ELECT 2.2-50V     |

| REF. NO. | PART NO.       | KANRI NO. | DESCRIPTION                   | REF. NO. | PART NO.       | KANRI NO. | DESCRIPTION                  |
|----------|----------------|-----------|-------------------------------|----------|----------------|-----------|------------------------------|
| C512     | 87-A10-011-090 |           | CAP,E 2200-25 SMG             | CNA901   | 8Z-JB9-662-010 |           | CONN ASSY,6P V AU L/R 300    |
| C513     | 87-018-127-080 |           | CAP, CER 470P-50V             | CNA903   | 8Z-JB9-661-010 |           | CONN ASSY,10P MAIN-AUDIO     |
| C601     | 87-A10-406-010 |           | CAP,CER 270P-2K K BN DE       | D9       | 87-A40-422-010 |           | LED,SLP-581D-51 Y-G/R        |
| C603     | 87-A10-052-080 |           | CAP,E 2.2-250 V               | △ D801   | 87-A90-965-010 |           | VRIS,TNR15G471K              |
| C606     | 87-016-515-080 |           | CAP,CER 1000P-1K B            | △ F801   | 87-035-458-010 |           | FUSE,4A 250V T W/C           |
| C607     | 87-010-397-090 |           | CAP,E 1000-35 SME             | FB1      | 87-003-320-080 |           | F-BEAD,FBR07HA121NB          |
| C609     | 87-010-957-080 |           | CAP,E330-25 M SMG             | FB501    | 87-003-320-080 |           | F-BEAD,FBR07HA121NB          |
| C616     | 87-018-132-080 |           | CAP, CER 2200P-16V            | FB601    | 87-003-320-080 |           | F-BEAD,FBR07HA121NB          |
| C617     | 87-010-976-080 |           | CAP,CER 1000P-500 B           | FB801    | 87-003-320-080 |           | F-BEAD,FBR07HA121NB          |
| C618     | 87-010-974-080 |           | CAP,CER 220P-500 B            | FB802    | 87-003-320-080 |           | F-BEAD,FBR07HA121NB          |
| △ C619   | 87-016-215-080 |           | CAP,E 1-160 M TWSS            | FB805    | 87-003-320-080 |           | F-BEAD,FBR07HA121NB          |
| △ C801   | 87-A10-688-090 |           | CAP,M/P 0.22-275 K (B81133)   | FB806    | 87-003-320-080 |           | F-BEAD,FBR07HA121NB          |
| △ C802   | 87-A10-688-090 |           | CAP,M/P 0.22-275 K (B81133)   | △ FC801  | 87-033-213-080 |           | CLAMP, FUSE                  |
| C805     | 87-012-370-010 |           | CAP,CER 3300P-250NS           | △ FC802  | 87-033-213-080 |           | CLAMP, FUSE                  |
| C807     | 87-A12-301-090 |           | CAP,E 470-400 M               | FR601    | 87-A00-063-060 |           | RES,FUSE 2.2-1/2W J R-TYPE   |
| C809     | 87-018-131-080 |           | CAP, CER 1000P-50V            | FR603    | 87-029-150-090 |           | RES,FUSE 3.9-2W J            |
| C810     | 87-010-384-080 |           | CAP, ELECT 100-25V            | FR604    | 87-A00-486-090 |           | RES,FUSE 1.5-2W J            |
| C811     | 87-018-127-080 |           | CAP, CER 470P-50V             | FR606    | 87-A00-652-090 |           | RES,FUSE 0.33-1W J RF        |
| C812     | 87-018-129-080 |           | CAP, CER 680P-50V             | FR803    | 87-025-538-090 |           | RES,M/O 68-3W J              |
| C813     | 87-A10-626-090 |           | CAP,M/P 0.01-1250 J           | J901     | 87-A60-324-110 |           | JACK,PIN 6P Y-W-R W/SW       |
| C814     | 87-A11-779-090 |           | CAP,M/P 1000P-1.6K J ECWH(VB) | J902     | 87-A61-021-010 |           | JACK,PIN 3P W/SW YKC21-5734  |
| C815     | 87-A11-779-090 |           | CAP,M/P 1000P-1.6K J ECWH(VB) | L1       | 87-003-147-080 |           | COIL, 22UH                   |
| C816     | 87-A11-260-090 |           | CAP,M/P 1000P-1.6 K           | L2       | 87-003-152-080 |           | COIL, 100UH                  |
| C817     | 87-A10-731-090 |           | CAP,E 220-160 M KMF           | L104     | 87-003-106-080 |           | COIL,0.33UH K                |
| C818     | 87-A12-053-090 |           | CAP,E 100-160 M SME           | L108     | 87-003-146-080 |           | COIL, 15UH                   |
| C822     | 87-A10-859-010 |           | CAP,CER 390P-2K K R           | L109     | 87-003-282-080 |           | COIL,12UH                    |
| C823     | 87-016-051-090 |           | CAP,E 2200-35 M SMG           | L110     | 87-003-146-080 |           | COIL,15UH LAL02              |
| C824     | 87-010-397-090 |           | CAP,E 1000-35 SME             | L111     | 87-003-282-080 |           | COIL,12UH                    |
| C826     | 87-010-235-080 |           | CAP,E 470-16 SME              | L112     | 87-005-481-080 |           | COIL,47UH                    |
| C827     | 87-010-405-080 |           | CAP, ELECT 10-50V             | L113     | 87-003-098-080 |           | COIL,2.2UH                   |
| C828     | 87-010-405-080 |           | CAP, ELECT 10-50V             | L114     | 87-A50-530-010 |           | COIL,VCO38.0MHZ              |
| C829     | 87-A10-469-080 |           | CAP,CER 2200P-500 K B DD10    | L301     | 87-005-444-080 |           | COIL 100UH,K                 |
| C830     | 87-010-405-080 |           | CAP, ELECT 10-50V             | △ L801   | 87-A50-636-010 |           | COIL,390UH RCH110            |
| C831     | 87-010-405-080 |           | CAP, ELECT 10-50V             | △ LF801  | 87-JB8-651-010 |           | FLTR,LINE SS24H-K15070       |
| C832     | 87-010-405-080 |           | CAP, ELECT 10-50V             | △ LF802  | 87-JB8-651-010 |           | FLTR,LINE SS24H-K15070       |
| C833     | 87-010-405-080 |           | CAP, ELECT 10-50V             | △ PR801  | 87-A90-090-080 |           | PROTECTOR,1.5A 491SERIES 60V |
| C901     | 87-010-405-080 |           | CAP, ELECT 10-50V             | △ PR803  | 87-A90-094-080 |           | PROTECTOR,4A 491SERIES 60V   |
| C902     | 87-010-401-080 |           | CAP, ELECT 1-50V              | △ PR804  | 87-A90-094-080 |           | PROTECTOR,4A 491SERIES 60V   |
| C903     | 87-010-401-080 |           | CAP, ELECT 1-50V              | △ PS801  | 87-A91-407-010 |           | P-COUPLER,ON3171-R           |
| C904     | 87-010-221-080 |           | CAP, ELECT 470-10V            | △ PS802  | 87-A91-407-010 |           | P-COUPLER,ON3171-R           |
| C905     | 87-010-405-080 |           | CAP, ELECT 10-50V             | △ PT801  | 8Z-JBA-621-010 |           | PT,SW ZJB-SH-7 M             |
| C906     | 87-010-405-080 |           | CAP, ELECT 10-50V             | R101     | 87-A00-164-090 |           | RES,M/F 12K-2W J RSF(S)      |
| C907     | 87-010-405-080 |           | CAP, ELECT 10-50V             | R317     | 87-A00-308-090 |           | RES,M/F 47-3W J RSF(S)       |
| C908     | 87-010-401-080 |           | CAP, ELECT 1-50V              | R511     | 87-A00-541-090 |           | RES,M/F 390-1W J RSF(S)      |
| C909     | 87-010-401-080 |           | CAP, ELECT 1-50V              | R515     | 87-A00-675-090 |           | RES,M/F 1.3-1W J RSF(S)      |
| C910     | 87-010-401-080 |           | CAP, ELECT 1-50V              | R612     | 87-A00-238-090 |           | RES,M/F 3.3K-5W J RSV5       |
| C911     | 87-010-401-080 |           | CAP, ELECT 1-50V              | R802     | 87-A00-552-010 |           | RES,CEM 1.0-10W J MPC722     |
| C912     | 87-010-260-080 |           | CAP, ELECT 47-25V             | R803     | 87-A00-552-010 |           | RES,CEM 1.0-10W J MPC722     |
| C913     | 87-018-134-080 |           | CAPACITOR,TC-U 0.01-16        | △ R804   | 87-A00-543-080 |           | RES,SD 8.2M-1W J RCR60       |
| C914     | 87-018-134-080 |           | CAPACITOR,TC-U 0.01-16        | R807     | 87-A00-639-090 |           | RES,CEM 0.15-5W K BPR        |
| C915     | 87-018-133-080 |           | CAPACITOR,CER 4700P-16V       | R808     | 87-A00-573-090 |           | RES,CEM 0.33-5W J MPC71      |
| C916     | 87-018-133-080 |           | CAPACITOR,CER 4700P-16V       | R816     | 87-A00-170-090 |           | RES,M/F 82K-3W J RSF(S)      |
| CF201    | 87-A90-224-080 |           | FLTR, TPS6.0MB                | R817     | 87-A00-223-090 |           | RES,M/F 47K-2W J RSF(S)      |
| CF202    | 87-008-578-080 |           | FLTR,TPS6.5MB2                | R827     | 87-A00-673-090 |           | RES,M/F 82K-5W J RSS5L30     |
| CF203    | 84-LB3-626-080 |           | FLTR,TPS4.5MB2                | R830     | 87-A00-752-090 |           | RES,M/F 8.2-5W J             |
| CF204    | 87-008-577-080 |           | FLTR,TPS5.5MB2                | S1       | 87-A91-525-080 |           | SW,TACT SKQNLA               |
| CF205    | 87-008-574-080 |           | FLTR,SFSH4.5MCEB              | S2       | 87-A91-525-080 |           | SW,TACT SKQNLA               |
| CN1      | 87-099-407-010 |           | CONN,7P EH V WHT              | S3       | 87-A91-525-080 |           | SW,TACT SKQNLA               |
| CN101    | 87-A60-734-010 |           | CONN,8P JL-BT                 | S4       | 87-A91-525-080 |           | SW,TACT SKQNLA               |
| CN102    | 87-A60-732-010 |           | CONN,6P JL-BT                 | S5       | 87-A91-525-080 |           | SW,TACT SKQNLA               |
| CN601    | 87-099-762-010 |           | CONN,5P TBL-P V BOSS          | S6       | 87-A91-525-080 |           | SW,TACT SKQNLA               |
| △ CN603  | 87-A60-003-010 |           | CONN,2P V TBL-P BOSS          | S501     | 87-A90-567-010 |           | SW,LVR 4-1-3 EVQRAAL10       |
| △ CN801  | 87-099-674-010 |           | CONN,2P VA V                  | △ S801   | 87-A91-410-010 |           | SW,AC PUSH 1-1-1 ESB92SH1B   |
| △ CN802  | 82-481-649-010 |           | PLUG,2P MINI(*)               | SWF201   | 87-A91-515-010 |           | FLTR,SAW TSB5388P            |
| CNA301   | 84-LB2-631-010 |           | CONN ASSY,5P TN-4             | SWF202   | 87-A91-556-010 |           | FLTR,SAW TSP6364U            |
| CNA501   | 8A-JEA-660-010 |           | CONN ASSY,5P MAIN-PIN         | △ T601   | 8A-JEA-606-010 |           | FBT,SH NX4014 AJE-A          |
| CNA600   | 8A-JEH-660-010 |           | CONN ASSY,2P MAIN-PIN         | T602     | 85-JT2-653-010 |           | PT,HDT-TV141-2               |
| CNA604   | 8A-JEH-661-010 |           | CONN ASSY,1P BLK MAIN-PIN     | △ THP801 | 87-A91-405-010 |           | POS-THMS,T209-B80-A10        |
| CNA801   | 8Z-JB9-663-010 |           | CONN ASSY,8P V AU PW 200      | TU101    | 87-A91-495-010 |           | TU UNIT, ENV59D58G3-38.0MHZ  |
| CNA802   | 8Z-JB4-658-010 |           | CONN ASSY,5P MAIN-NK 20'/21'  | X1       | 87-030-300-080 |           | VIB,XTAL 8.00MHZ             |

| REF. NO.  | PART NO.       | KANRI NO. | DESCRIPTION                   | REF. NO.  | PART NO.       | KANRI NO. | DESCRIPTION                |
|-----------|----------------|-----------|-------------------------------|-----------|----------------|-----------|----------------------------|
| X301      | 87-A70-054-080 |           | VIB,XTAL 4.43MHZ AQC-1018     | C654      | 87-A10-867-090 |           | CAP,CER 2200P-2K K R       |
|           |                |           |                               | C655      | 87-A10-460-010 |           | CAP,PP 0.56-250 J PMS      |
|           |                |           |                               | C656      | 87-010-963-080 |           | CAP,E 2.2-160 SME          |
| AUDIO C.B |                |           |                               | C658      | 87-016-217-080 |           | CAP,E 4.7-160              |
|           |                |           |                               | C659      | 87-010-976-080 |           | CAP,CER 1000P-500 B        |
| C401      | 87-010-402-080 |           | CAP, ELECT 2.2-50V            | C660      | 87-018-131-080 |           | CAP, CER 1000P-50V         |
| C402      | 87-010-260-080 |           | CAP, ELECT 47-25V             | C661      | 87-010-405-080 |           | CAP, ELECT 10-50V          |
| C403      | 87-018-134-080 |           | CAPACITOR,TC-U 0.01-16        | C662      | 87-010-405-080 |           | CAP, ELECT 10-50V          |
| C405      | 87-010-402-080 |           | CAP, ELECT 2.2-50V            | C663      | 87-010-395-080 |           | CAP,E 330-35 SME           |
| C406      | 87-010-405-080 |           | CAP, ELECT 10-50V             | C665      | 87-A11-124-080 |           | CAP,TC U 2200P-50 K B      |
| C407      | 87-A11-148-080 |           | CAP,TC U 0.1-50 Z F           | CN651     | 87-A61-126-080 |           | MALE,1P TP42097            |
| C408      | 87-010-367-080 |           | CAP,E 4.7-25 BP               | CN652     | 87-A60-003-010 |           | CONN,2P V TBL-P BOSS       |
| C411      | 87-010-367-080 |           | CAP,E 4.7-25 BP               | CN653     | 87-009-195-010 |           | CONN,5P V WHT EH           |
| C412      | 87-010-405-080 |           | CAP, ELECT 10-50V             | L651      | 87-A50-607-080 |           | COIL,3.9MH K LHL10         |
| C413      | 87-A11-148-080 |           | CAP,TC U 0.1-50 Z F           | L652      | 8Z-JE7-608-010 |           | COIL,HLC ZJE-7             |
| C414      | 87-010-405-080 |           | CAP, ELECT 10-50V             | L653      | 87-005-757-010 |           | COIL,3.3MH                 |
| C415      | 87-010-367-080 |           | CAP,E 4.7-25 BP               | R652      | 87-A00-537-090 |           | RES,M/F 100-5W J RSV5      |
| C418      | 87-010-367-080 |           | CAP,E 4.7-25 BP               | R653      | 87-A00-629-090 |           | RES,M/F 5.6-1W J RSF(S)    |
| C419      | 87-A11-148-080 |           | CAP,TC U 0.1-50 Z F           | SFR651    | 87-024-434-080 |           | SFR,22K RH063EC            |
| C420      | 87-010-260-080 |           | CAP, ELECT 47-25V             | SFR652    | 87-024-429-080 |           | SFR,1K RH063EC             |
| C421      | 87-010-260-080 |           | CAP, ELECT 47-25V             | SFR653    | 87-024-435-080 |           | SFR,33K H RH063MC          |
| C422      | 87-018-134-080 |           | CAPACITOR,TC-U 0.01-16        |           |                |           |                            |
| C426      | 87-A11-148-080 |           | CAP,TC U 0.1-50 Z F           |           |                |           |                            |
| C427      | 87-010-401-080 |           | CAP, ELECT 1-50V              | NK C.B    |                |           |                            |
| C428      | 87-018-134-080 |           | CAPACITOR,TC-U 0.01-16        |           |                |           |                            |
| C429      | 87-010-263-080 |           | CAP, ELECT 100-10V            | C901      | 87-010-405-080 |           | CAP,E 10-50 M 11L SME      |
| C433      | 87-A11-148-080 |           | CAP,TC U 0.1-50 Z F           | C902      | 87-010-968-080 |           | CAP,CER 680P-2K KB         |
| C434      | 87-A11-148-080 |           | CAP,TC U 0.1-50 Z F           | C903      | 87-010-405-080 |           | CAP,E 10-50 M 11L SME      |
| C435      | 87-010-260-080 |           | CAP, ELECT 47-25V             | C906      | 87-010-400-080 |           | CAP,E 0.47-50 M 11L SME    |
| C436      | 87-018-119-080 |           | CAP, CER 100P-50V             | C907      | 87-010-235-080 |           | CAP,E 470-16 M SME         |
| C437      | 87-018-119-080 |           | CAP, CER 100P-50V             | C908      | 87-018-129-080 |           | CAP,TC U 680P-50 KB UP050  |
| C438      | 87-010-367-080 |           | CAP,E 4.7-25 BP               | C909      | 87-018-129-080 |           | CAP,TC U 680P-50 KB UP050  |
| C440      | 87-A11-147-080 |           | CAP,TC U 0.047-50 Z F         | C910      | 87-018-129-080 |           | CAP,TC U 680P-50 KB UP050  |
| C442      | 87-A11-147-080 |           | CAP,TC U 0.047-50 Z F         | C911      | 87-018-127-080 |           | CAP,TC U 470P-50 KB UP050  |
| C445      | 87-010-367-080 |           | CAP,E 4.7-25 BP               | C911      | 87-018-127-080 |           | CAP,TC U 470P-50 KB UP050  |
| C446      | 87-010-101-080 |           | CAP, ELECT 220-16             | C912      | 87-018-127-080 |           | CAP,TC U 470P-50 KB UP050  |
| C447      | 87-A11-148-080 |           | CAP,TC U 0.1-50 Z F           | C913      | 87-018-127-080 |           | CAP,TC U 470P-50 KB UP050  |
| C467      | 87-010-367-080 |           | CAP,E 4.7-25 BP               | C914      | 87-A10-052-080 |           | CAP,E 2.2-250              |
| C470      | 87-010-112-080 |           | CAP, ELECT 100-16V            | C915      | 87-010-260-080 |           | CAP,E 47-25 M 11L SME      |
| C471      | 87-A11-148-080 |           | CAP,TC U 0.1-50 Z F           | C916      | 87-018-134-080 |           | CAP,TC U 0.01-16 N Y UP050 |
| C472      | 87-010-367-080 |           | CAP,E 4.7-25 BP               | C917      | 87-010-970-090 |           | CAP,CER 4700P-2K K B DE    |
| C475      | 87-010-379-080 |           | CAP, ELECT 22-16V             | CN901     | 87-049-590-010 |           | CONN,5P V WHT 8283         |
| C476      | 87-010-400-080 |           | CAP, ELECT 0.47-50V           | CN902     | 87-009-195-010 |           | CONN,5P V WHT EH           |
| C477      | 87-010-400-080 |           | CAP, ELECT 0.47-50V           | CN903     | 87-A61-126-080 |           | MALE,1P TP42097            |
| C478      | 87-010-401-080 |           | CAP, ELECT 1-50V              | CN904     | 87-A61-060-080 |           | CONN,1P V RED TP00706      |
| C479      | 87-010-247-080 |           | CAP, ELECT 100-50V            | L901      | 87-005-614-080 |           | COIL,100UH J LAV35         |
| C480      | 87-010-388-080 |           | CAP ELECT 1000-25V SME        | L902      | 87-005-614-080 |           | COIL,100UH J LAV35         |
| C481      | 87-010-388-080 |           | CAP ELECT 1000-25V SME        | L903      | 87-005-614-080 |           | COIL,100UH J LAV35         |
| C482      | 87-010-401-080 |           | CAP, ELECT 1-50V              | L904      | 87-005-608-080 |           | COIL,33UH J LAV35          |
| C483      | 87-010-247-080 |           | CAP, ELECT 100-50V            | R901      | 87-A00-242-090 |           | RES,M/F 8.2K-3W J RSF(S)   |
| C484      | 87-A11-148-080 |           | CAP,TC U 0.1-50 Z F           | R902      | 87-A00-242-090 |           | RES,M/F 8.2K-3W J RSF(S)   |
| C493      | 87-010-112-080 |           | CAP, ELECT 100-16V            | R903      | 87-A00-242-090 |           | RES,M/F 8.2K-3W J RSF(S)   |
| C498      | 87-010-402-080 |           | CAP, ELECT 2.2-50V            | S901      | 86-LBR-670-010 |           | SOCKET,CRT 9P HPS1521      |
| CN401     | 87-009-034-010 |           | CONN,6P PH V                  |           |                |           |                            |
| CN403     | 87-099-408-010 |           | CONN,8P EH V WHT              |           |                |           |                            |
| CN404     | 87-009-195-010 |           | CONN,5P B5BEH                 | NICAM C.B |                |           |                            |
| CNA400    | 8Z-JBX-602-010 |           | CONN ASSY,4P SP 205-0.5       | C701      | 87-010-318-080 |           | C-CAP,S 47P-50 CH          |
| CNA401    | 8Z-JB4-660-010 |           | CONN ASSY,5P 401-481 AUDIO    | C702      | 87-010-318-080 |           | C-CAP,S 47P-50 CH          |
| FR401     | 87-A00-084-090 |           | RES,FUSE 1-1W J               | C703      | 87-010-145-080 |           | C-CAP,S 1P-50 CH           |
| FR402     | 87-A00-084-090 |           | RES,FUSE 1-1W J               | C704      | 87-010-145-080 |           | C-CAP,S 1P-50 CH           |
| J403      | 87-A61-275-010 |           | JACK,3.5 BLK ST 2 SW P        | C705      | 87-010-553-080 |           | CAP,E 47-16                |
| R401      | 87-025-381-080 |           | RES,M/F 18K-1/6W F            | C706      | 87-010-197-080 |           | CAP, CHIP 0.01 DM          |
| R402      | 87-025-424-080 |           | RES,M/F 10K 1/6W F            | C707      | 87-010-197-080 |           | CAP, CHIP 0.01 DM          |
| R404      | 87-025-380-080 |           | RES,M/F 15K-1/6W F            | C708      | 87-010-496-080 |           | CAP,E 3.3-50 5L            |
| R405      | 87-025-381-080 |           | RES,M/F 18K-1/6W F            | C709      | 87-010-197-080 |           | CAP, CHIP 0.01 DM          |
|           |                |           |                               | C710      | 87-010-197-080 |           | CAP, CHIP 0.01 DM          |
| PIN C.B   |                |           |                               | C714      | 87-010-555-080 |           | CAP,E 100-10 GAS           |
| C651      | 87-A11-336-090 |           | CAP,M/P 0.01-1.6K H ECWH(VB)  | C715      | 87-010-197-080 |           | CAP, CHIP 0.01 DM          |
| C652      | 87-A11-999-090 |           | CAP,M/P 0.012-800 H ECWH(V)   | C716      | 87-010-316-080 |           | C-CAP,S 33P-50 CH          |
| C653      | 87-A11-260-090 |           | CAP,M/P 1000P-1.6K H ECWH(VR) | C719      | 87-010-498-080 |           | CAP,E 10-16 GAS            |
|           |                |           |                               | C720      | 87-012-157-080 |           | C-CAP,S 330P-50 CH         |

| REF. NO. | PART NO.       | KANRI NO. | DESCRIPTION           | REF. NO. | PART NO.       | KANRI NO. | DESCRIPTION               |
|----------|----------------|-----------|-----------------------|----------|----------------|-----------|---------------------------|
| C723     | 87-010-498-080 |           | CAP,E 10-16 GAS       | C741     | 87-012-140-080 |           | CAP 470P                  |
| C724     | 87-010-494-080 |           | CAP ELECT GAS 1/50    | C742     | 87-010-189-080 |           | C-CAP,S 8200P-50 B        |
| C725     | 87-010-197-080 |           | CAP, CHIP 0.01 DM     | C743     | 87-010-183-080 |           | C-CAP,S 2700P-50 B        |
| C726     | 87-010-197-080 |           | CAP, CHIP 0.01 DM     | C744     | 87-012-142-080 |           | CAP, S 0.33-16            |
| C727     | 87-010-497-080 |           | CAP,E 4.7-35 5L       | C745     | 87-012-157-080 |           | C-CAP,S 330P-50 CH        |
| C728     | 87-010-197-080 |           | CAP, CHIP 0.01 DM     | C748     | 87-012-154-080 |           | C-CAP,S 150P-50 CH        |
| C729     | 87-010-555-080 |           | CAP,E 100-10 GAS      | CN701    | 87-A60-722-010 |           | CONN,8P JL-R              |
| C730     | 87-010-321-080 |           | CHIP CAPACITOR,82P(J) | CN702    | 87-A60-720-010 |           | CONN,6P JL-R              |
| C731     | 87-012-140-080 |           | CAP 470P              | L701     | 87-005-461-080 |           | COIL,1UH J FLR50          |
| C732     | 87-010-189-080 |           | C-CAP,S 8200P-50 B    | L702     | 87-005-461-080 |           | COIL,1UH J FLR50          |
| C733     | 87-010-183-080 |           | C-CAP,S 2700P-50 B    | L703     | 87-005-473-080 |           | COIL,10UH J FLR50         |
| C734     | 87-012-142-080 |           | CAP, S 0.33-16        | L705     | 87-005-473-080 |           | COIL,10UH J FLR50         |
| C737     | 87-010-552-080 |           | CAP,E 22-16 GAS       | L707     | 87-005-473-080 |           | COIL,10UH J FLR50         |
| C739     | 87-012-157-080 |           | C-CAP,S 330P-50 CH    | L708     | 87-005-485-080 |           | COIL,100UH J FLR50        |
| C740     | 87-010-318-080 |           | C-CAP,S 47P-50 CH     | X701     | 87-A70-199-080 |           | VIB,XTAL 18.432MHZKEY C.B |

○チップ抵抗部品コード／CHIP RESISTOR PART CODE

チップ抵抗部品コードの成り立ち

Chip Resistor Part Coding



A  
 抵抗部品コード  
 Resistor Code

桁表示  
 Figure  
 抵抗値  
 Value of resistor

チップ抵抗  
Chip resistor

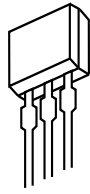
| 容量<br>Wattage | 種類<br>Type | 許容誤差<br>Tolerance | 記号<br>Symbol | 寸法/Dimensions (mm) |     |      | 抵抗コード : A<br>Resistor Code : A |     |
|---------------|------------|-------------------|--------------|--------------------|-----|------|--------------------------------|-----|
|               |            |                   |              | 外形/Form            | L   | W    |                                | t   |
| 1/16W         | 1005       | ± 5%              | CJ           |                    | 1.0 | 0.5  | 0.35                           | 104 |
| 1/16W         | 1608       | ± 5%              | CJ           |                    | 1.6 | 0.8  | 0.45                           | 108 |
| 1/10W         | 2125       | ± 5%              | CJ           |                    | 2   | 1.25 | 0.45                           | 118 |
| 1/8W          | 3216       | ± 5%              | CJ           |                    | 3.2 | 1.6  | 0.55                           | 128 |

# TRANSISTOR ILLUSTRATION



E C B

2SA950  
2SA1015



S D G

2SJ460  
2SK2541



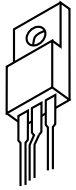
E C B

2SC3467



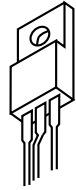
E C B

2SA1175  
2SC2785  
DTC144ES



B C E

2SD2580



1 2 3

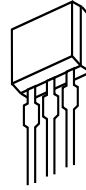
SE120N

1. VOUT SENSE
2. COLLECTOR
3. GROUND



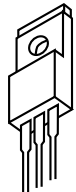
E C B

2SC3779



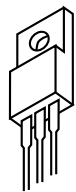
E C B

DTC323TS



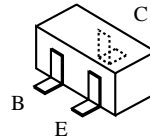
B C E

2SD2531



B C E

2SC5147

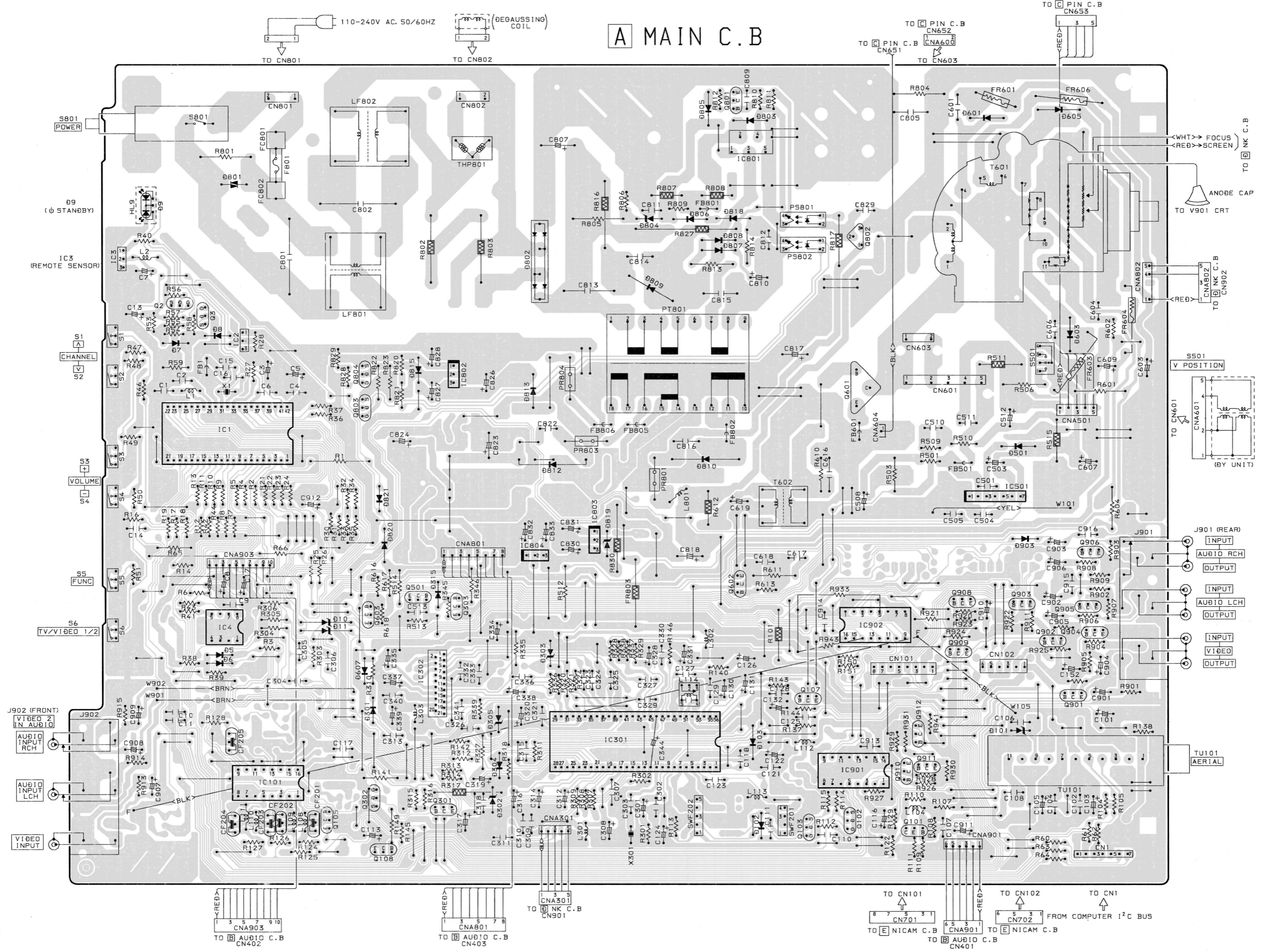


B  
E

2SC2412

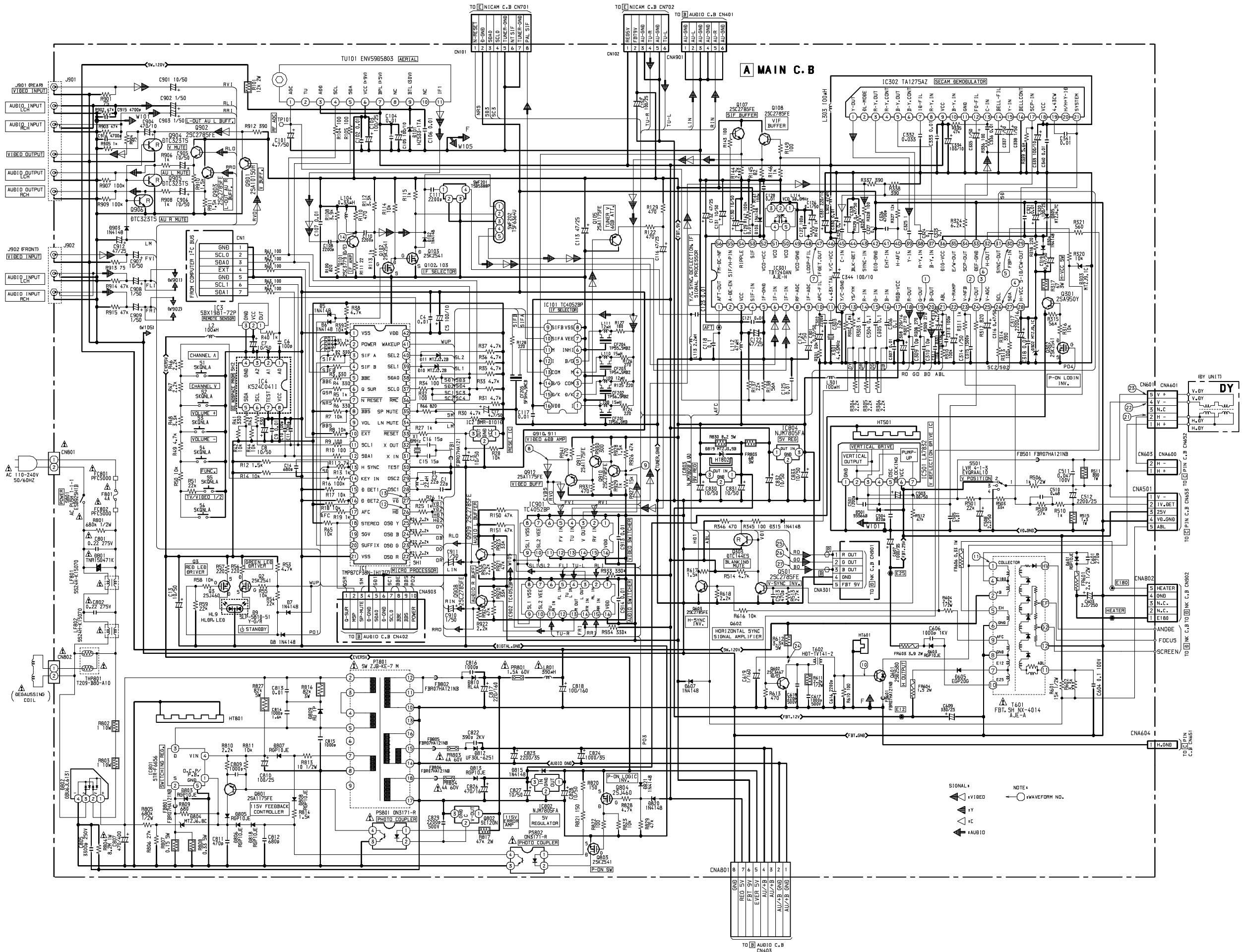


A MAIN C.B



A B C D E F G H I J K L M N O P Q R S T U

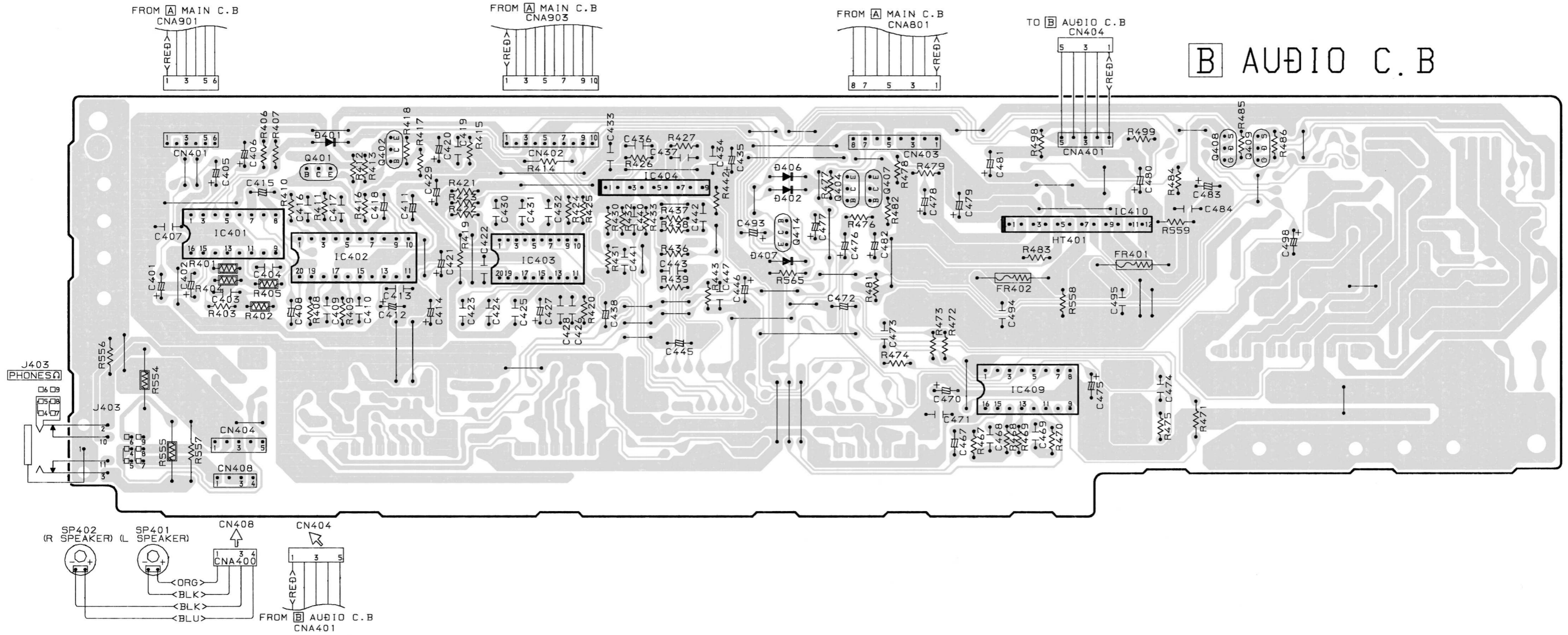
SCHEMATIC DIAGRAM - 1 (MAIN)



WIRING - 2 (AUDIO)

32 31 30 29 28 27 26 25 24 23 22 21 20 19 18 17 16 15 14 13 12 11 10 9 8 7 6 5 4 3 2 1

A  
B  
C  
D  
E  
F  
G  
H  
I  
J  
K  
L  
M  
N  
O  
P  
Q  
R  
S  
T  
U



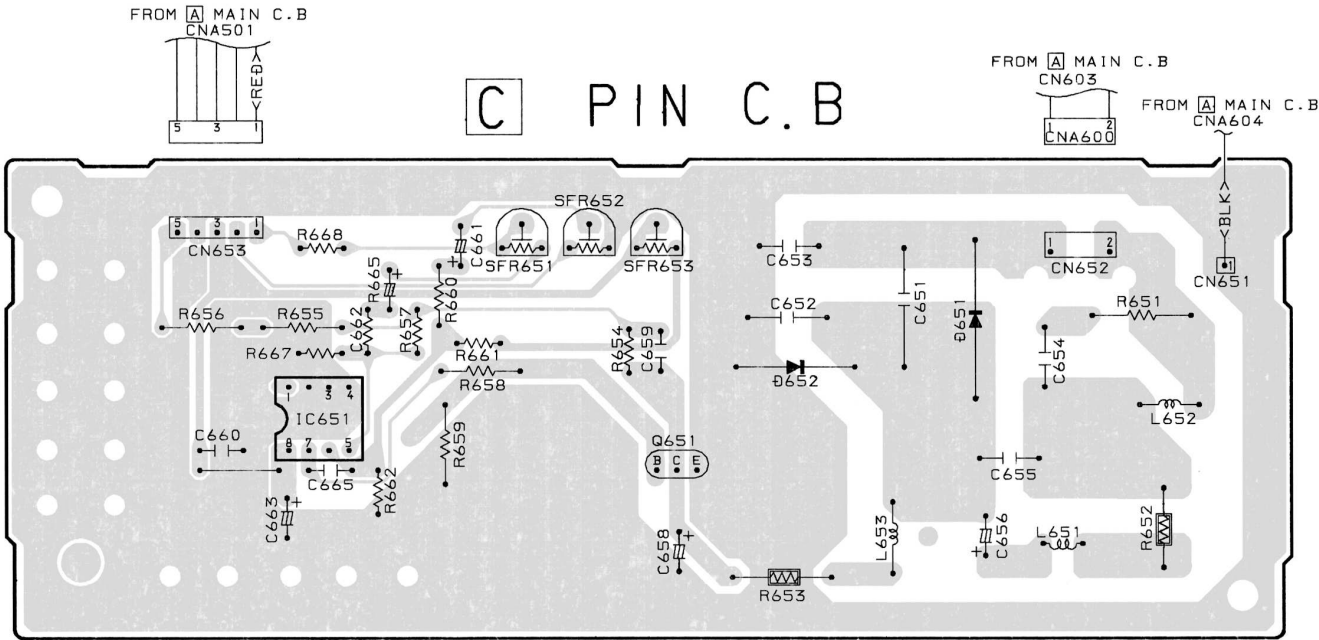


WIRING - 3 (PIN)

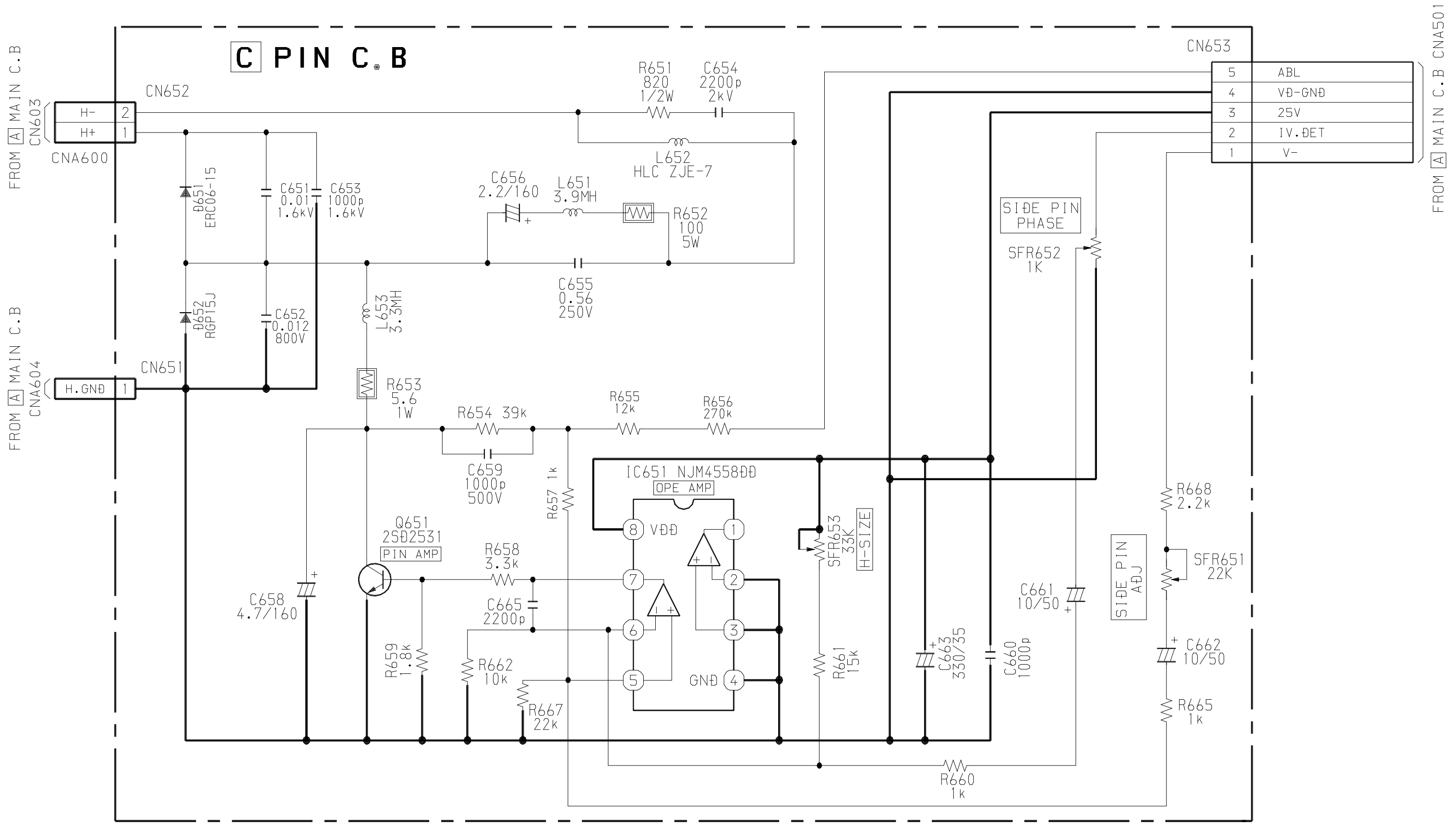
|    |    |    |    |    |    |   |   |   |   |   |   |   |   |   |
|----|----|----|----|----|----|---|---|---|---|---|---|---|---|---|
| 15 | 14 | 13 | 12 | 11 | 10 | 9 | 8 | 7 | 6 | 5 | 4 | 3 | 2 | 1 |
|----|----|----|----|----|----|---|---|---|---|---|---|---|---|---|

|   |
|---|
| A |
| B |
| C |
| D |
| E |
| F |
| G |
| H |
| I |
| J |
| K |
| L |
| M |
| N |
| O |
| P |
| Q |
| R |
| S |
| T |
| U |

C PIN C.B

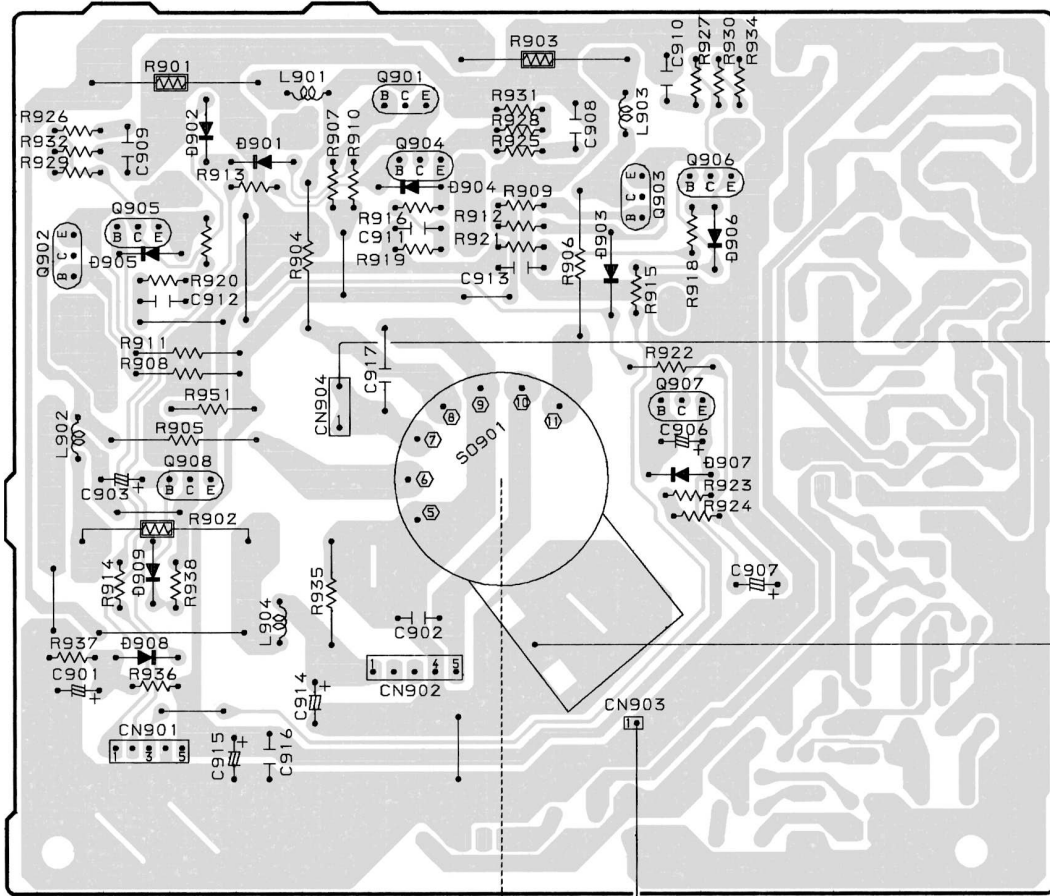


SCHEMATIC DIAGRAM - 3 (PIN)

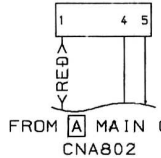
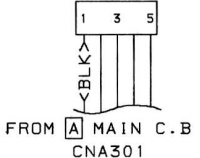


|    |    |    |    |    |    |   |   |   |   |   |   |   |   |   |
|----|----|----|----|----|----|---|---|---|---|---|---|---|---|---|
| 15 | 14 | 13 | 12 | 11 | 10 | 9 | 8 | 7 | 6 | 5 | 4 | 3 | 2 | 1 |
|----|----|----|----|----|----|---|---|---|---|---|---|---|---|---|

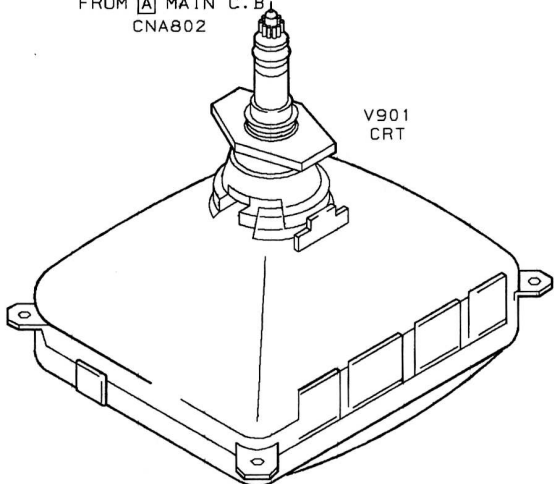
⊠ NK C. B



TO MAIN C. B  
 <RED> → SCREEN  
 <WHT> → FOCUS

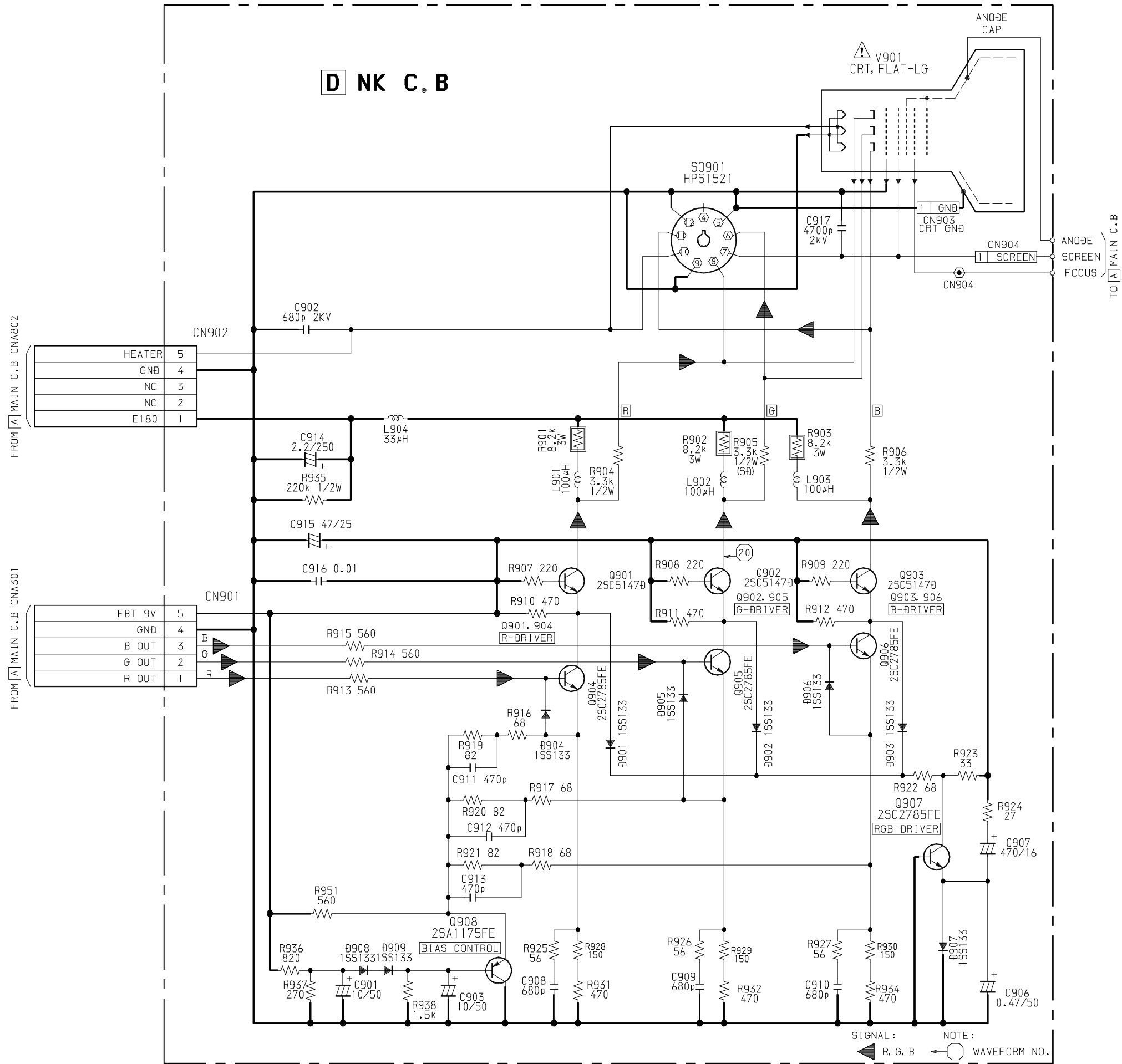


TO CRT GND



|   |
|---|
| A |
| B |
| C |
| D |
| E |
| F |
| G |
| H |
| I |
| J |
| K |
| L |
| M |
| N |
| O |
| P |
| Q |
| R |
| S |
| T |
| U |

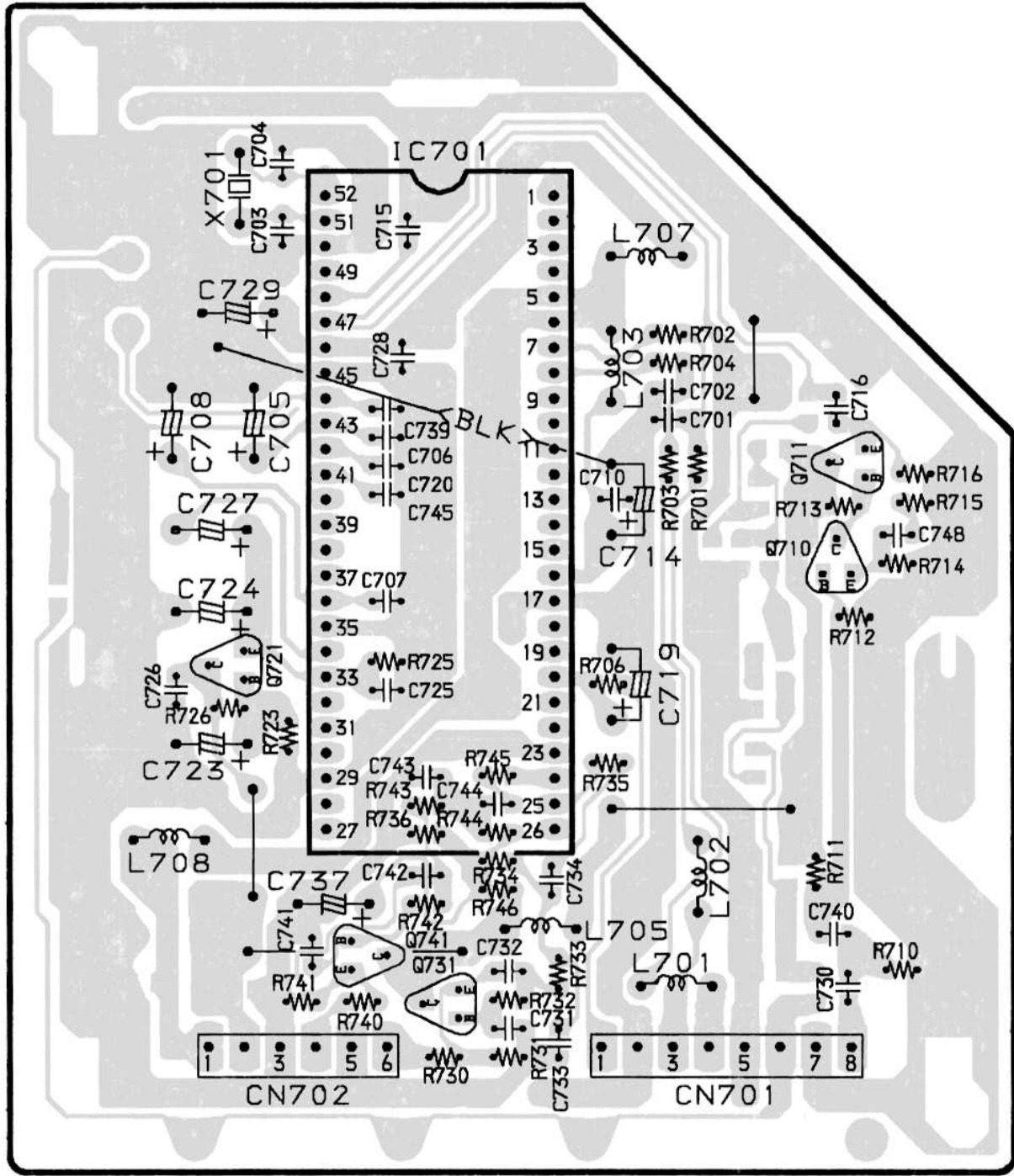
SCHEMATIC DIAGRAM - 4 (NK)





|    |    |    |    |    |    |   |   |   |   |   |   |   |   |   |
|----|----|----|----|----|----|---|---|---|---|---|---|---|---|---|
| 15 | 14 | 13 | 12 | 11 | 10 | 9 | 8 | 7 | 6 | 5 | 4 | 3 | 2 | 1 |
|----|----|----|----|----|----|---|---|---|---|---|---|---|---|---|

# E NICAM C.B

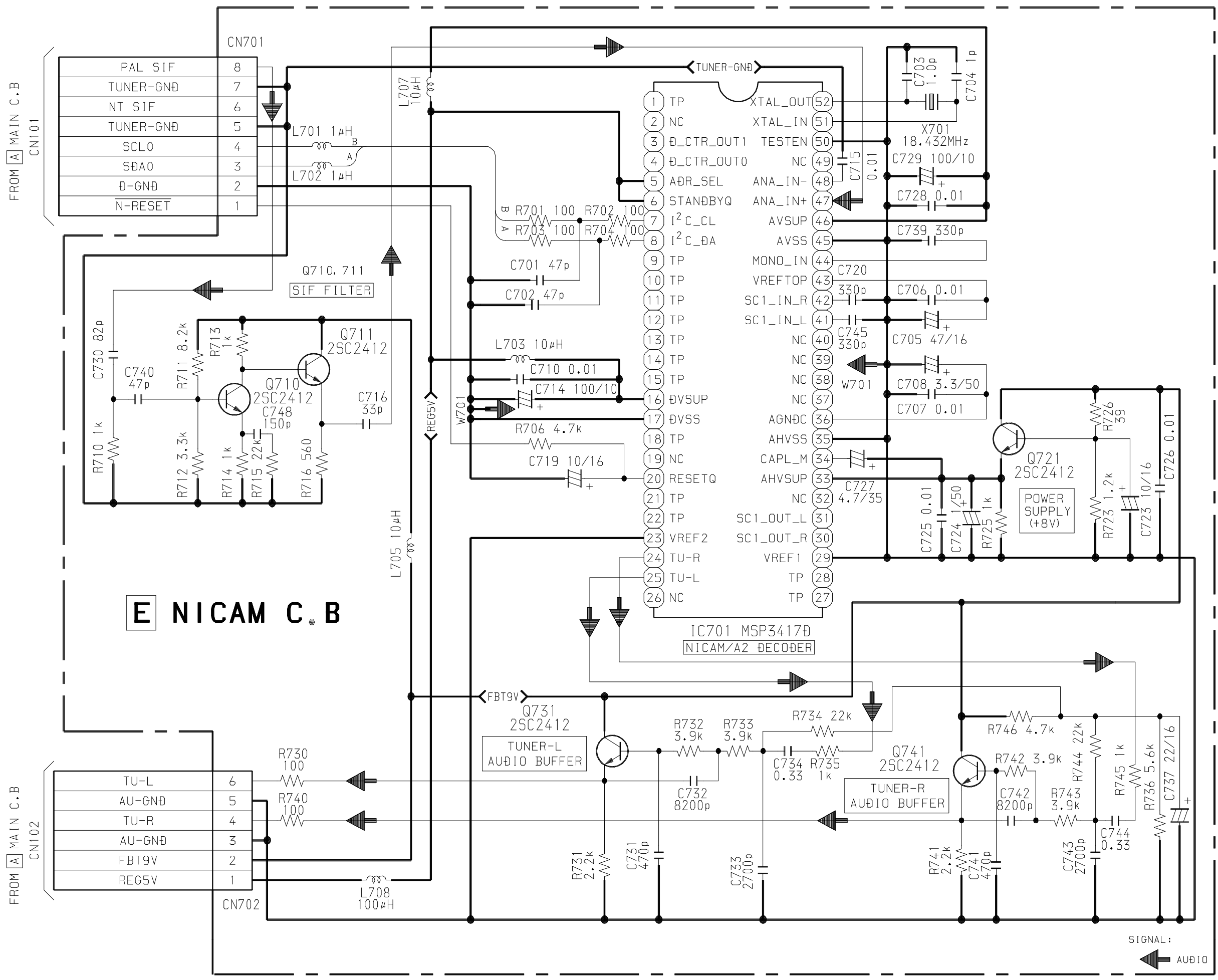


1 3 5 6  
CN102  
FROM [A] MAIN C.B

1 3 5 7 8  
CN101  
FROM [A] MAIN C.B

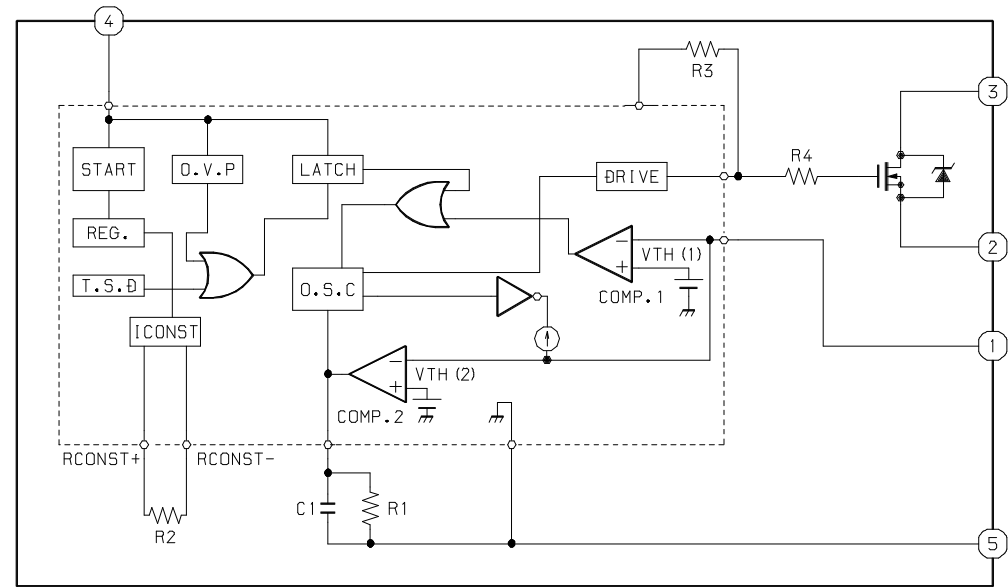
A  
B  
C  
D  
E  
F  
G  
H  
I  
J  
K  
L  
M  
N  
O  
P  
Q  
R  
S  
T  
U

SCHEMATIC DIAGRAM - 5 (NICAM)

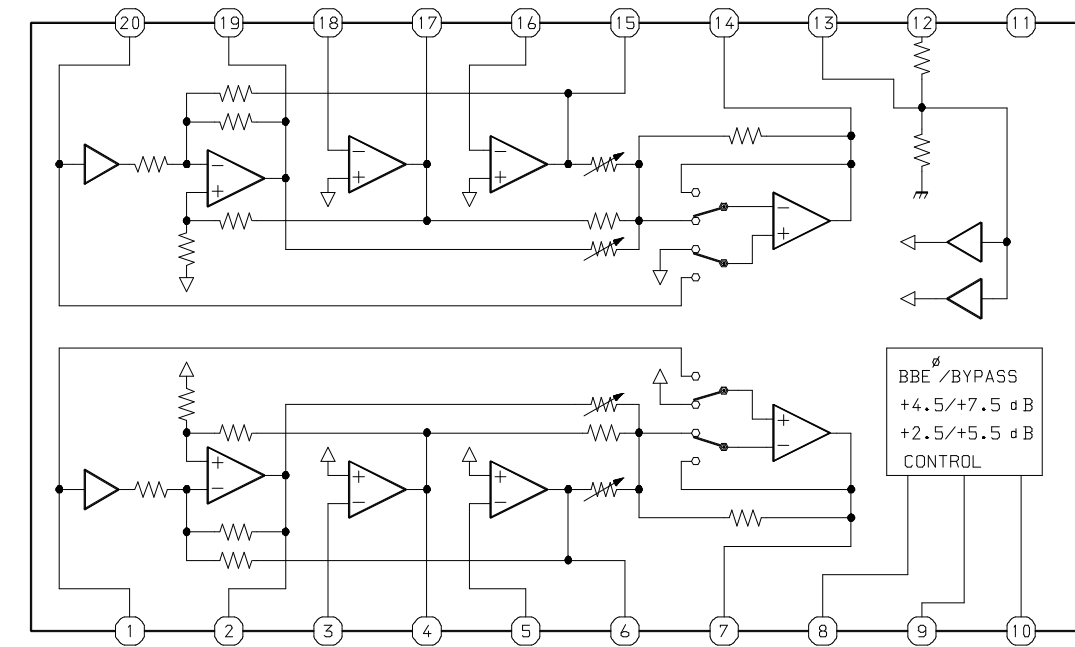


IC BLOCK DIAGRAM

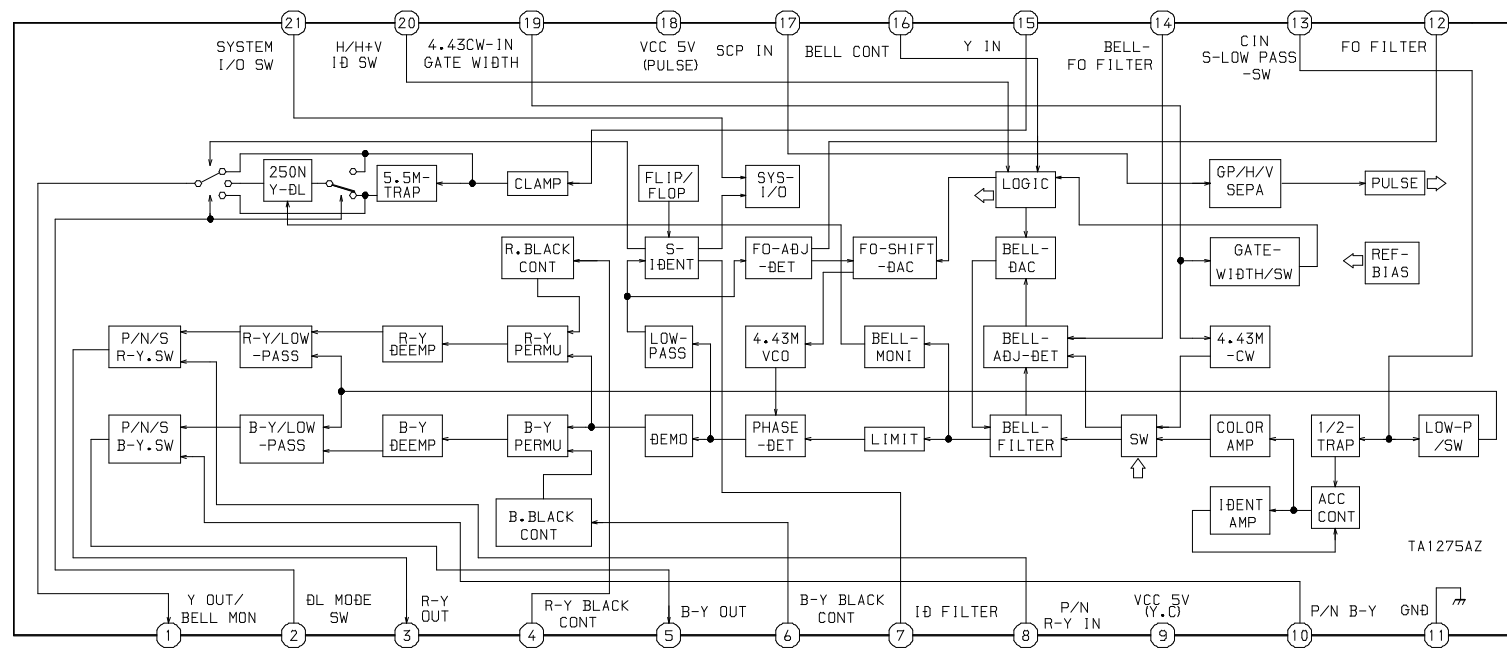
IC, STR-F6656



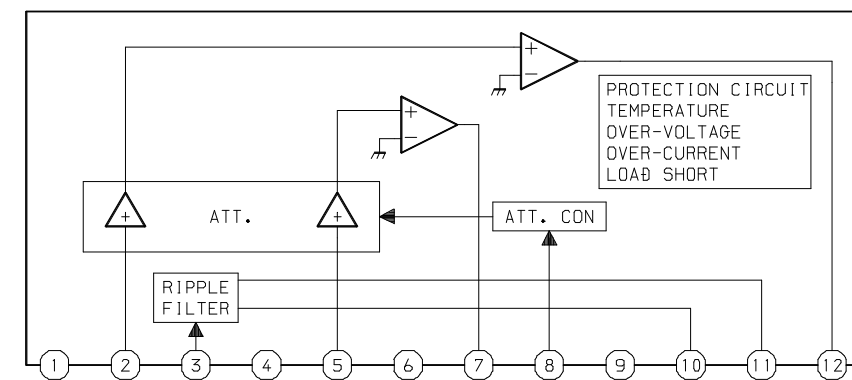
IC, NJM2150



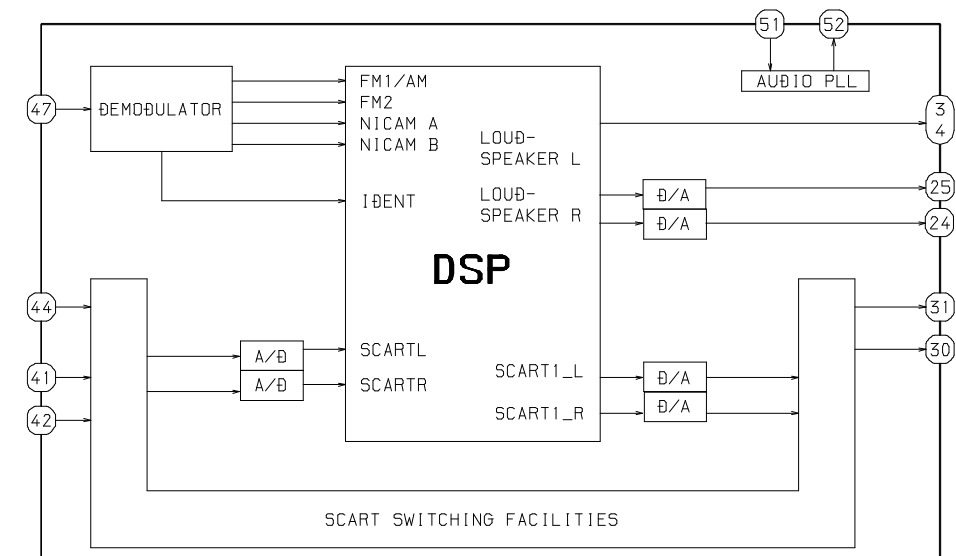
IC, TA1275AZ



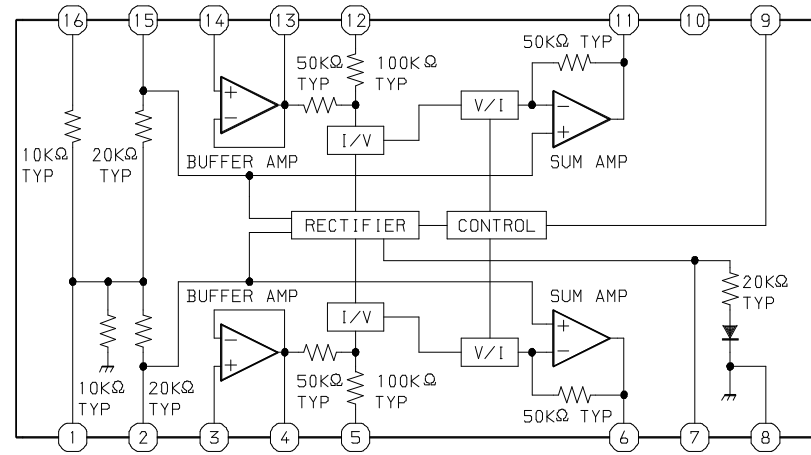
IC, AN5277



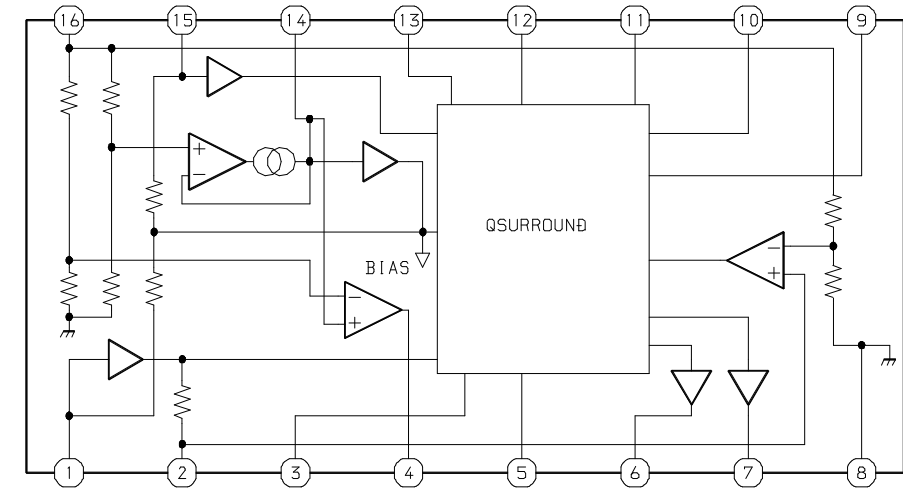
IC, MSP3417D



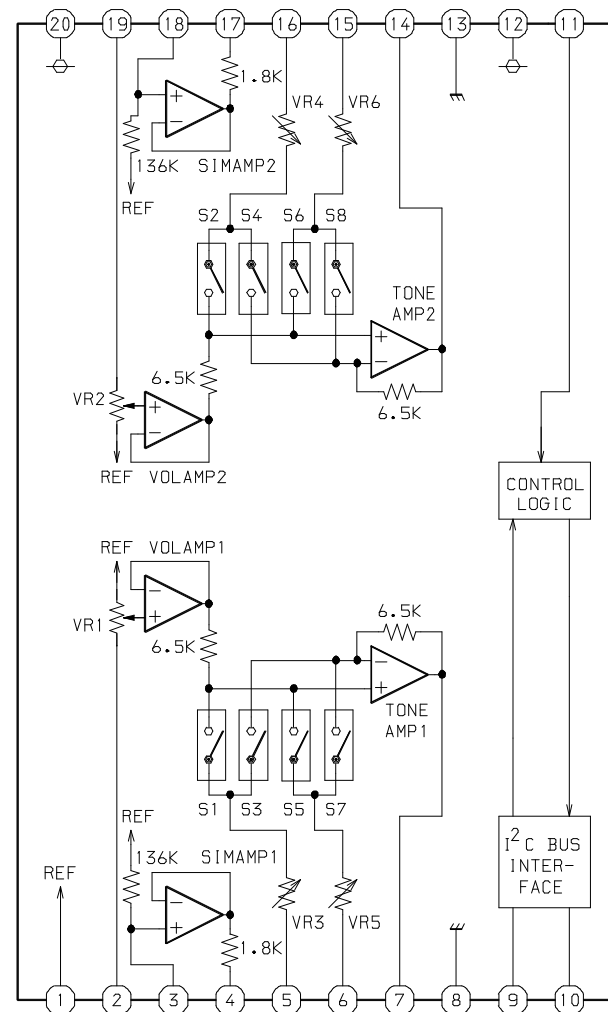
IC, MM1124B



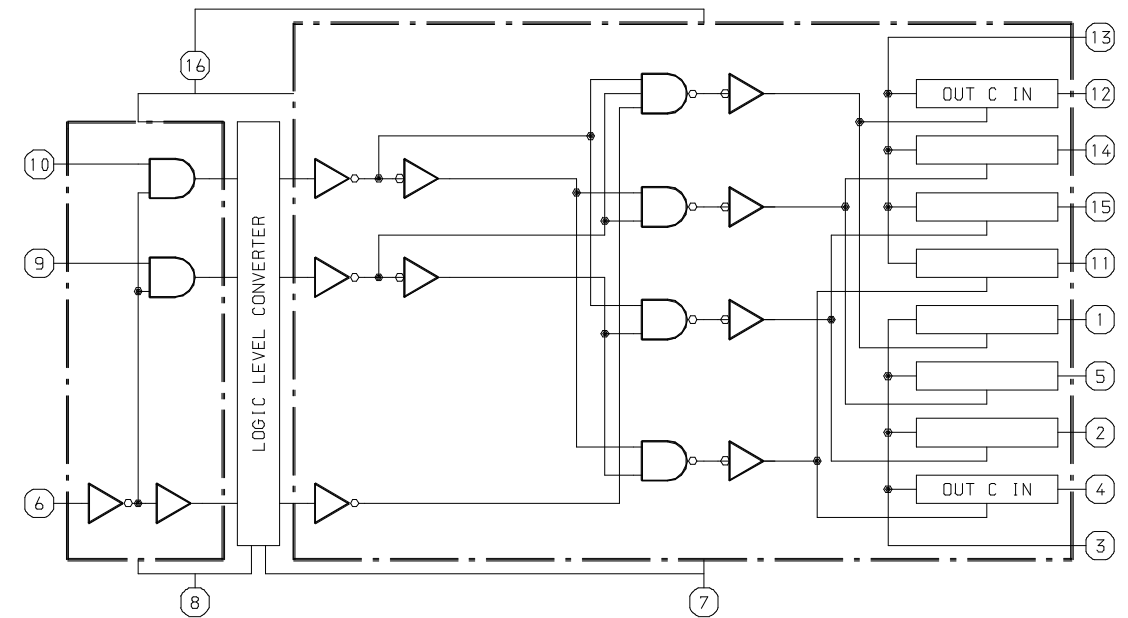
IC, MM1454XD



IC, M62420SP



IC, TC4052BP



IC DESCRIPTION  
C, TMP87CP38N-1H17(Z)

| Pin No. | Pin Name                    | I/O | Description   |
|---------|-----------------------------|-----|---|
| 1       | VSS                         | –   | Connected to GND.   |
| 2       | POWER                       | O   | During standby mode, "H" level is inserted to switch off H deflection & high voltage. |
| 3       | SIF A                       | O   | SOUND IF switch A.  |
| 4       | SIF B                       | O   | SOUND IF switch B.  |
| 5       | BBE                         | O   | BBE select.   |
| 6       | Q SUR                       | O   | Q SURROUND switch.  |
| 7       | $\overline{\text{N RESET}}$ | O   | NICAM RESET ("L" = reset).  |
| 8       | $\overline{\text{BBS}}$     | O   | BASS BOOST / S-WOOFER.  |
| 9       | VOL                         | –   | Main volume control output. (Not used)  |
| 10      | $\overline{\text{EXT}}$     | I   | External bus switch.  |
| 11      | SCL1                        | O   | I <sup>2</sup> C bus CH1 clock.   |
| 12      | SDA1                        | I/O | I <sup>2</sup> C bus CH1 data.  |
| 13      | H SYNC                      | I   | Sync signal input pin for detection.  |
| 14      | KEY IN                      | I   | Input key is detected by monitor.   |
| 15      | D DET1                      | I   | Power condition 1 (mid = good, low/high = bad).                                       |
| 16      | D DET2                      | I   | Power condition 2 (mid = good, low/high = bad).                                       |
| 17      | AFC                         | I   | AFT voltage input pin.  |
| 18      | STEREO                      | I   | Stereo identification input.  |
| 19      | SGV                         | O   | Test signal output when test mode. (Not used)   |
| 20      | SUFFIX                      | I   | Feature select (initial) input.   |
| 21      | VSS                         | –   | Connected to GND.   |
| 22      | OSD R                       | O   | OSD red output.   |
| 23      | OSD G                       | O   | OSD green output.   |
| 24      | OSD B                       | O   | OSD blue output.  |
| 25      | OSD Y                       | O   | OSD blanking signal output.   |
| 26      | $\overline{\text{HD}}$      | I   | OSD horizontal synchronised signal input.   |
| 27      | $\overline{\text{VD}}$      | I   | OSD vertical synchronised signal input.   |
| 28      | OSC1                        | –   | Connected to OSC coil.  |
| 29      | OSC2                        | –   | Connected to OSC coil.  |
| 30      | TEST                        | –   | Connected to GND.   |
| 31      | X IN                        | I   | 8 MHz clock input.  |
| 32      | X OUT                       | O   | 8 MHz clock output.   |
| 33      | $\overline{\text{RESET}}$   | I   | Use to reset the micon when power up.   |
| 34      | LN MUTE                     | O   | "H" to mute the line out signal.  |
| 35      | SP MUTE                     | O   | "H" to mute the audio signal.   |
| 36      | $\overline{\text{RMC}}$     | I   | Remote control signal is led to this pin.   |
| 37      | SCL0                        | I   | I <sup>2</sup> C bus CH2 clock.   |
| 38      | SDA0                        | I/O | I <sup>2</sup> C bus CH2 data.  |
| 39      | SEL1                        | O   | Input select switch 1.  |
| 40      | SEL2                        | O   | Input select switch 2.  |
| 41      | WAKEUP                      | O   | LED (wake up timer).  |
| 42      | VDD                         | –   | 5V supply.  |

IC, TB1240AN AJE-H

| Pin No. | Pin Name    | I/O | Description   |
|---------|-------------|-----|---|
| 1       | AFT OUT     | O   | The terminal for AFT output and self-adjust output.               |
| 2       | A-DE.EN     | -   | Not connected.  |
| 3       | IF-VCC      | -   | VCC of PIF circuit.   |
| 4       | SIF-IN      | I   | SIF input pin.  |
| 5       | IF-GND      | -   | GND of PIF circuit.   |
| 6       | IF-IN       | I   | IF signal input.  |
| 7       | IF-IN       | I   | IF signal input.  |
| 8       | RF-AGC      | O   | RF AGC output.  |
| 9       | IF-AGC      | -   | The terminal to be connected with an IF AGC filter.               |
| 10      | APC-FIL     | -   | APC filter of chroma for demodulation.                            |
| 11      | 4.43 X*TAL  | I   | 4.43MHz crystal oscillator.                                       |
| 12      | Y/C-GND     | -   | GND of Y/C circuit.   |
| 13      | YS/YM       | I   | The terminal for switching of analog RGB mode and fast half tone. |
| 14      | R-IN        | I   | Analog red signals input.   |
| 15      | G-IN        | I   | Analog green signals input.                                       |
| 16      | B-IN        | I   | Analog blue signals input.  |
| 17      | RGB-VCC     | -   | VCC of RGB circuit.   |
| 18      | R-OUT       | O   | R signals output.   |
| 19      | G-OUT       | O   | G signals output.   |
| 20      | B-OUT       | O   | B signals output.   |
| 21      | ABL         | I   | ABL control.  |
| 22      | V-RAMP      | -   | Connected with cap to make Vertical RAMP signal.                  |
| 23      | V-NFB       | I   | Input of Vertical sawteeth signal feedback.                       |
| 24      | V-OUT       | O   | Vertical drive signal output.                                     |
| 25      | V-AGC       | -   | Vertical AGC cap.   |
| 26      | SCL         | I   | I <sup>2</sup> C bus clock input.                                 |
| 27      | SDA         | I/O | I <sup>2</sup> C bus data input/output.                           |
| 28      | H-VCC       | -   | VCC of vertical circuit.  |
| 29      | S-ID/CW-OUT | I/O | SECAM ID input and PAL/NTSC ID output.                            |
| 30      | FBP-IN      | I   | FBP input.  |
| 31      | SYNC-OUT    | O   | Composites sync output.   |
| 32      | H-OUT       | O   | Horizontal drive signal output.                                   |
| 33      | DEF-GND     | -   | GND of deflection circuit.  |
| 34      | SCP-OUT     | O   | Sand castle pulse (VD+HD+GP) output.                              |
| 35      | E/W-OUT     | O   | E-W output. (Not used)  |
| 36      | DIG-VDD     | -   | VDD of digital block.   |
| 37      | B-Y.IN      | I   | B-Y signals input.  |
| 38      | R-Y.IN      | I   | R-Y signals input.  |
| 39      | Y-IN        | I   | Y signal input.   |
| 40      | H-AFC       | -   | H.AFC filter.   |
| 41      | EHT-IN      | I   | The terminal for EHT. (Not used)                                  |
| 42      | DIG-GND     | -   | GND of digital block.   |

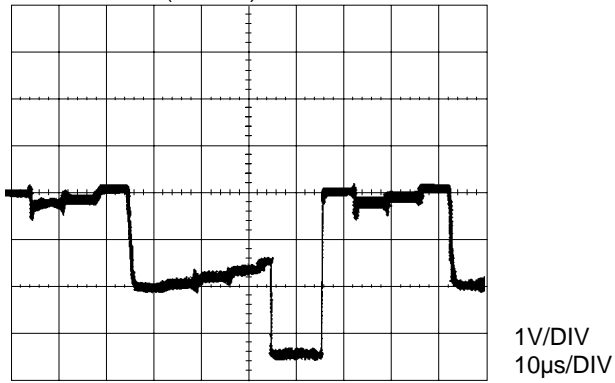
| Pin No. | Pin Name  | I/O | Description  |
|---------|-----------|-----|--|
| 43      | SYNC-IN   | I   | Input of the synchronous separation circuit.                                   |
| 44      | BLK-DET   | –   | The terminal to be connected with an Black Det filter.                         |
| 45      | C-IN      | I   | Input of chroma signals.   |
| 46      | Y/C-VCC   | –   | VCC of Y/C circuit.  |
| 47      | IFDET.OUT | O   | Composite video signal and SIF signal detected in IF circuit.                  |
| 48      | LOOP-FIL  | –   | Loop filter for IF PLL.  |
| 49      | VCO-GND   | –   | GND of VCO and SIF circuit.  |
| 50      | VCO       | –   | The terminal connected with a tank coil for IF VCO.                            |
| 51      | VCO       | –   | The terminal connected with a tank coil for IF VCO.                            |
| 52      | VCO-VCC   | –   | VCC of IF VCO and SIF.   |
| 53      | SIF       | I   | H.curve correction and SIF input.  |
| 54      | RIPPLE    | –   | Connected with cap to stabilize the performance of SIF injection-lock circuit. |
| 55      | SIF/H-PIN | O   | Output of 2nd SIF signal.  |
| 56      | FM-DC-NF  | I   | The terminal for FM DC negative feedback and AGC filter for L-SECAM.           |

# WAVEFORM

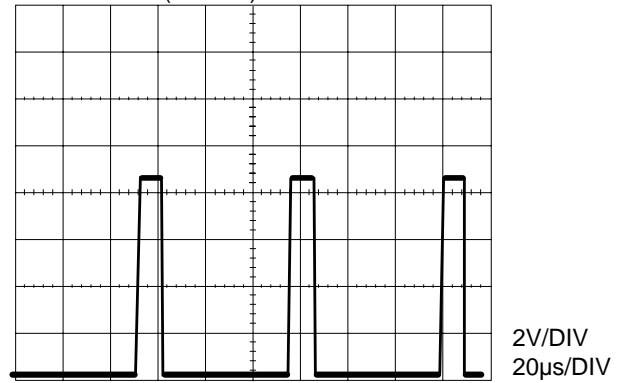
AC : 220V, INPUT : TUNER PAL-COLOR BAR AUDIO 1kHz, USER CONTROL : ALL RESET

## MAIN C.B

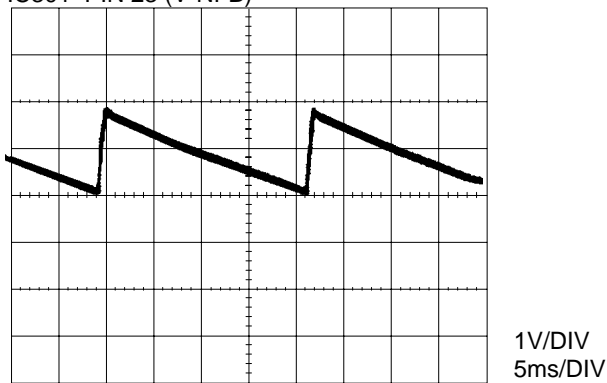
① IC301 PIN 19 (G-OUT)



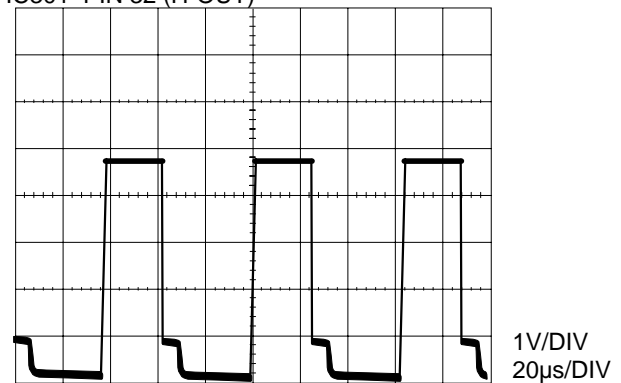
⑤ IC301 PIN 30 (FBP-IN)



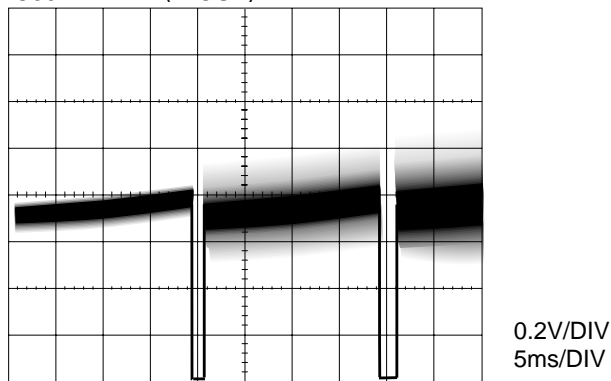
② IC301 PIN 23 (V-NFB)



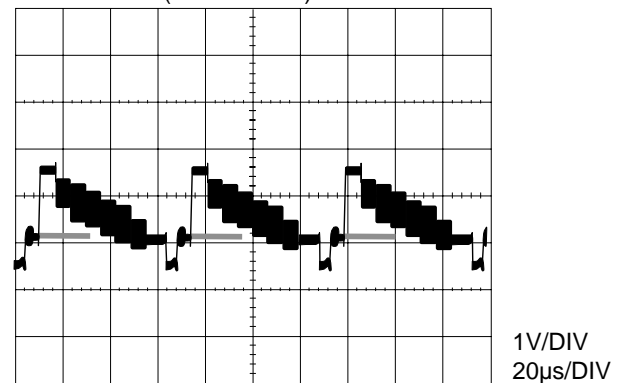
⑥ IC301 PIN 32 (H-OUT)



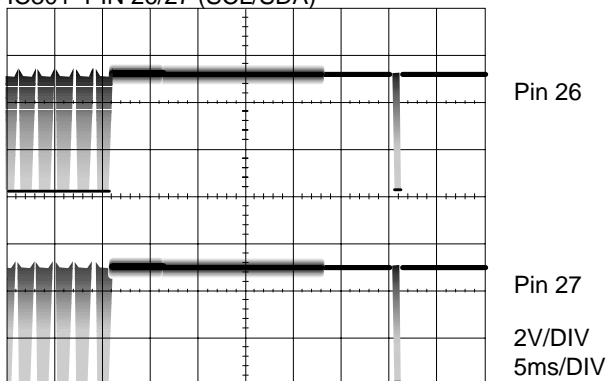
③ IC301 PIN 24 (V-OUT)



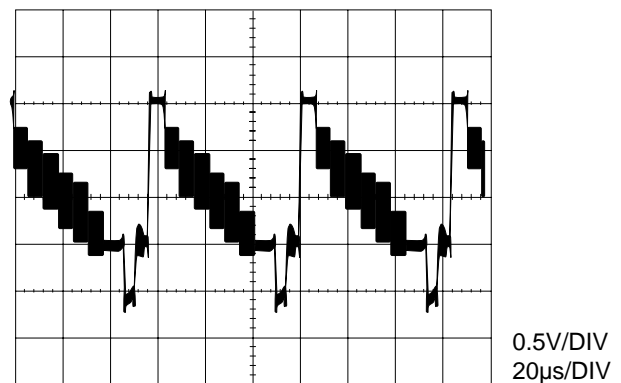
⑦ IC301 PIN 47 (IF DET. OUT)



④ IC301 PIN 26/27 (SCL/SDA)

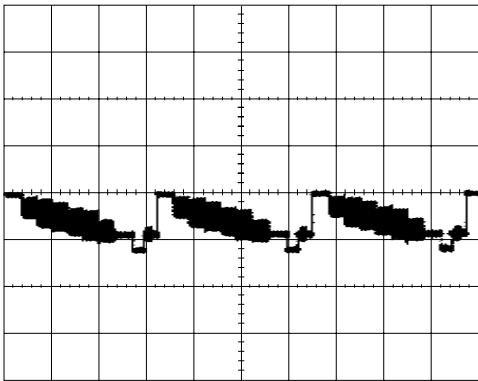


⑧ Q912 EMITTER

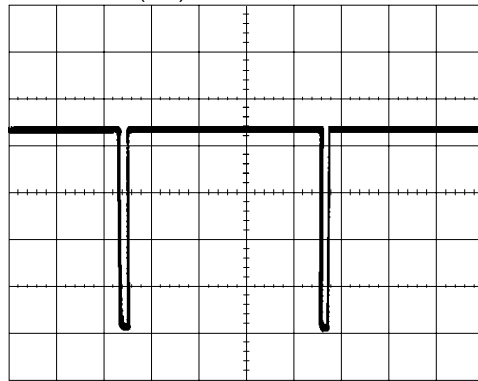




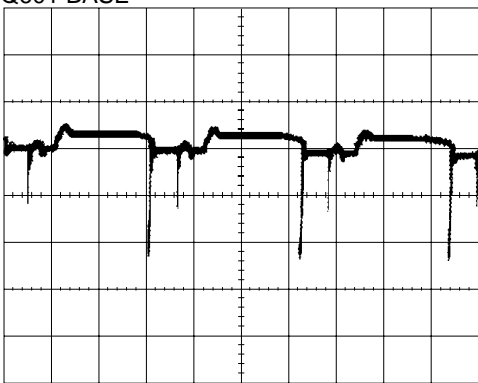
⑨ Q910 BASE



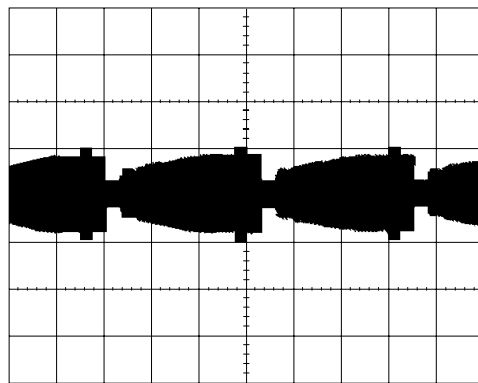
⑬ IC1 PIN 27 ( $\overline{VD}$ )



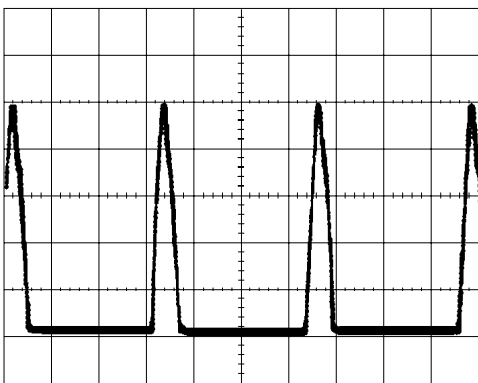
⑩ Q601 BASE



⑭ Q101 COLLECTOR

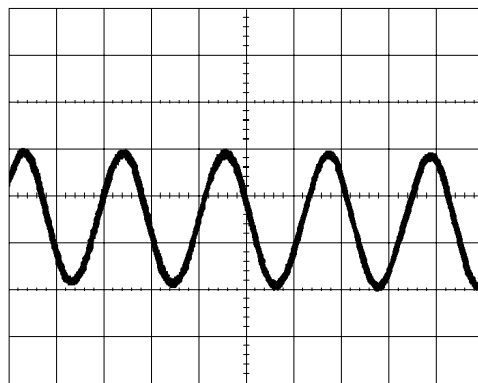


⑪ T601 PIN 1 (COLLECTOR)

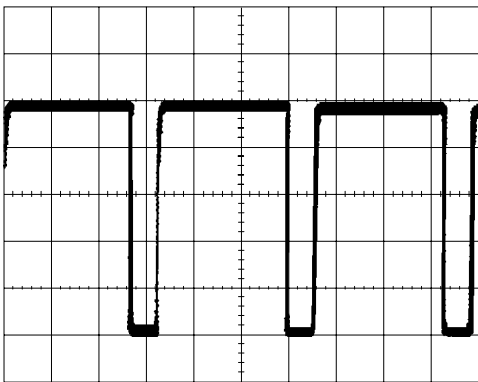


AUDIO C.B

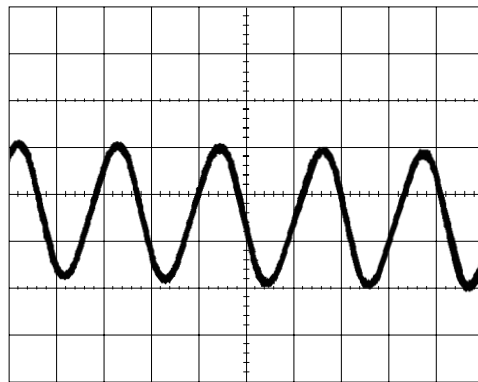
⑮ IC401 PIN 1 (R IN)



⑫ IC1 PIN 26 ( $\overline{HD}$ )

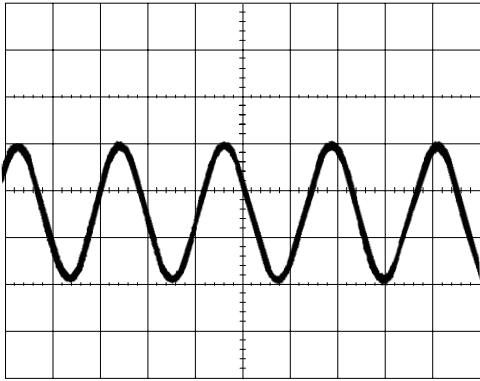


⑯ IC402 PIN 7 (OUTPUT(A))

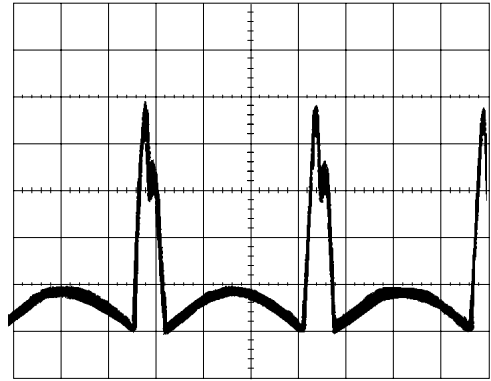


MIAN C.B

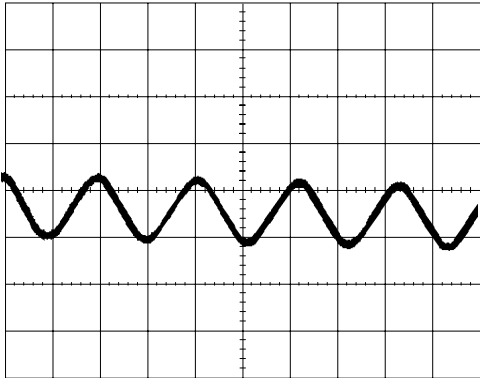
①7 IC403 PIN 14 (OUT2)



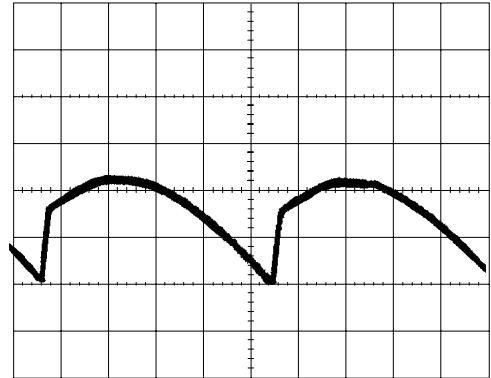
②1 CN601 PIN 2 (H-)



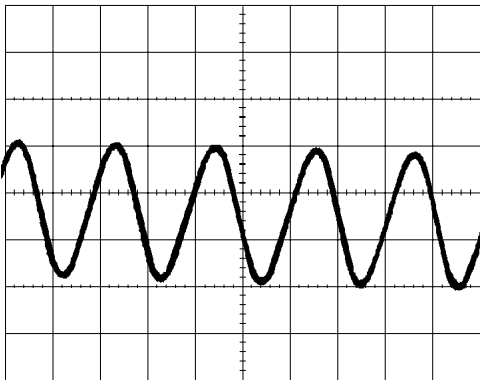
①8 IC409 PIN 15 (IN2)



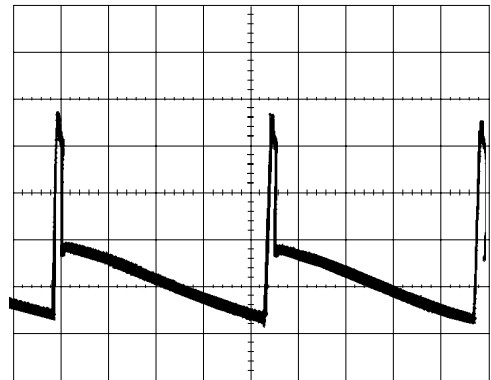
②2 CN601 PIN 4 (V-)



①9 IC410 PIN 7 (CH2 OUT)

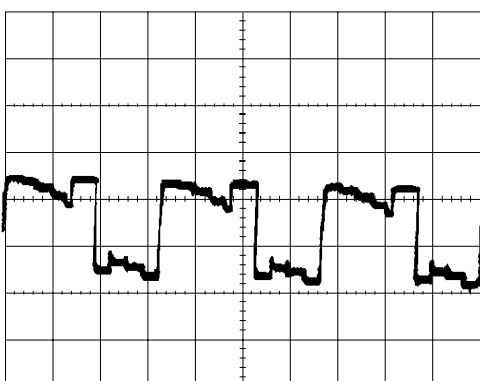


②3 CN601 PIN 5 (V+)

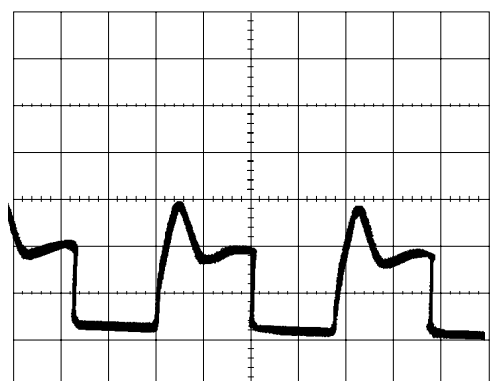


NK C.B

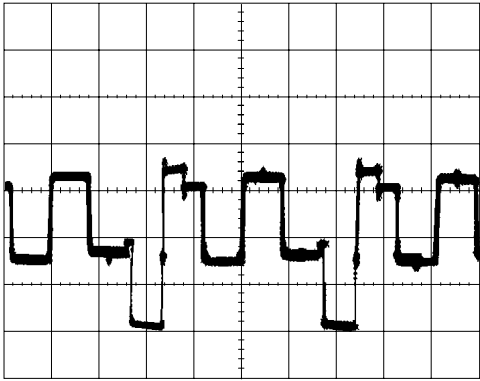
②0 Q902 COLLECTOR



②4 Q602 COLLECTOR

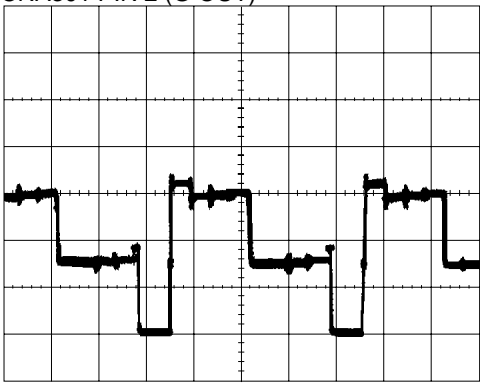


25) CNA301 PIN 1 (R OUT)



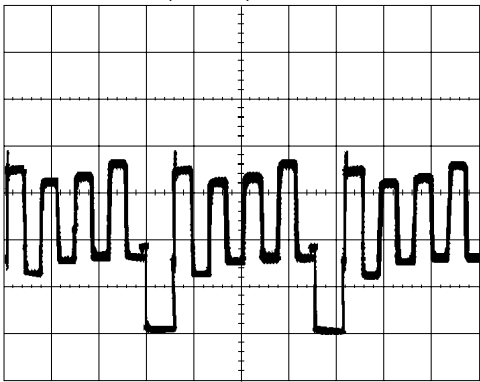
1V/DIV  
20 $\mu$ s/DIV

26) CNA301 PIN 2 (G OUT)



1V/DIV  
20 $\mu$ s/DIV

27) CNA301 PIN 3 (B OUT)



1V/DIV  
20 $\mu$ s/DIV

# VOLTAGE CHART

## MAIN C.B / AUDIO C.B / PIN C.B

| REF. NO | E     | C     | B     |
|---------|-------|-------|-------|
| Q 101   | 0.57  | 8.83  | 1.36  |
| Q 105   | 3.53  | 0     | 2.87  |
| Q 107   | 2.89  | 8.85  | 3.5   |
| Q 108   | 2.86  | 8.85  | 3.51  |
| Q 301   | 11.98 | 11.92 | 11.28 |
| Q 303   | 0     | 0.26  | 4.45  |
| Q 401   | 0     | 0     | 0.59  |
| Q 402   | 0     | 0     | 0.59  |
| Q 404   | 0     | 0     | 0.2   |
| Q 407   | 0     | 0     | 0.2   |
| Q 414   | 8.7   | -1.5  | 8.85  |
| Q 501   | 0     | 4.45  | 0.06  |
| Q 601   | 0     | -     | -     |
| Q 602   | 0     | 40.25 | 0.37  |
| Q 603   | 0     | 4.17  | 0     |
| Q 651   | 0     | 22.36 | 0.58  |
| Q 801   | 15.02 | 3.04  | 14.46 |
| Q 901   | 3.68  | 0     | 2.99  |
| Q 902   | 2.77  | 8.84  | 3.39  |
| Q 903   | 2.77  | 8.84  | 3.39  |
| Q 904   | 0     | 3.68  | 0.1   |
| Q 905   | 0     | 0.05  | 0.1   |
| Q 906   | 0     | 0.06  | 0.1   |
| Q 908   | 3.37  | 8.84  | 3.4   |
| Q 909   | 3.37  | 8.84  | 3.4   |
| Q 910   | 1.44  | 6.72  | 2.06  |
| Q 911   | 7.37  | 2.32  | 6.72  |
| Q 912   | 2.99  | 0     | 2.32  |

| REF. NO | S    | D    | G    |
|---------|------|------|------|
| Q 2     | 0.35 | 5.04 | 0.09 |
| Q 3     | 5.04 | 1.43 | 4.05 |
| Q 102   | 0.01 | 8.58 | 0.88 |
| Q 103   | 0    | 0.08 | 8.57 |
| Q 302   | 0    | 0    | 4.6  |
| Q 408   | 0    | 0    | 0    |
| Q 409   | 0    | 0    | 4.59 |
| Q 803   | 0    | 4.94 | 0    |
| Q 804   | 5.04 | 0    | 4.56 |

| REF. NO | 1   | 2    | 3 |
|---------|-----|------|---|
| Q 802   | 119 | 92.5 | 0 |

## NK C.B

| REF. NO | E    | C     | B    |
|---------|------|-------|------|
| Q 901   | 8.38 | 145.3 | 8.83 |
| Q 902   | 8.38 | 152   | 8.83 |
| Q 903   | 8.41 | 142.4 | 8.83 |
| Q 904   | 2.2  | 8.39  | 2.58 |
| Q 905   | 2.1  | 8.39  | 2.48 |
| Q 906   | 2.24 | 8.41  | 2.62 |
| Q 907   | 0.17 | 8.9   | 0    |
| Q 908   | 1.66 | 0     | 0.97 |

**IC1,TMP87CP38N  
-1H17(Z)**

| PIN NO. | VOL(V) |
|---------|--------|
| 1       | 0.00   |
| 2       | 5.00   |
| 3       | 5.00   |
| 4       | 0.05   |
| 5       | 5.00   |
| 6       | 0.00   |
| 7       | 5.00   |
| 8       | 0.03   |
| 9       | 0.00   |
| 10      | 5.00   |
| 11      | 5.00   |
| 12      | 5.00   |
| 13      | 4.60   |
| 14      | 5.00   |
| 15      | 0.00   |
| 16      | 2.52   |
| 17      | 3.20   |
| 18      | 5.00   |
| 19      | 0.00   |
| 20      | 5.00   |
| 21      | 0.00   |
| 22      | 0.00   |
| 23      | 0.00   |
| 24      | 0.00   |
| 25      | 0.00   |
| 26      | 4.17   |
| 27      | 4.48   |
| 28      | 5.03   |
| 29      | 5.03   |
| 30      | 0.00   |
| 31      | 2.15   |
| 32      | 2.36   |
| 33      | 5.03   |
| 34      | 0.80   |
| 35      | 0.09   |
| 36      | 5.01   |
| 37      | 4.80   |
| 38      | 4.80   |
| 39      | 5.27   |
| 40      | 5.27   |
| 41      | 0.09   |
| 42      | 5.04   |

**IC2,BMR-0101D**

| PIN NO. | VOL(V) |
|---------|--------|
| 1       | 5.04   |
| 2       | 0.00   |
| 3       | 5.03   |

**IC3,SBX1981-72P**

| PIN NO. | VOL(V) |
|---------|--------|
| 1       | 5.01   |
| 2       | 5.02   |
| 3       | 0.02   |

**IC4,KS24C041I**

| PIN NO. | VOL(V) |
|---------|--------|
| 1       | 0.00   |
| 2       | 0.00   |
| 3       | 0.00   |
| 4       | 0.02   |
| 5       | 5.03   |
| 6       | 5.03   |
| 7       | 0.00   |
| 8       | 5.04   |

**IC101,TC4052BP**

| PIN NO. | VOL(V) |
|---------|--------|
| 1       | 2.86   |
| 2       | 2.86   |
| 3       | 2.87   |
| 4       | 2.86   |
| 5       | 2.86   |
| 6       | 0.00   |
| 7       | 0.00   |
| 8       | 0.00   |
| 9       | 0.31   |
| 10      | 5.04   |
| 11      | 0.77   |
| 12      | 2.89   |
| 13      | 2.89   |
| 14      | 2.89   |
| 15      | 2.89   |
| 16      | 5.04   |

**IC301,TB1240AN AJE-H**

| PIN NO. | VOL(V) |
|---------|--------|
| 1       | 3.20   |
| 2       | 3.96   |
| 3       | 8.62   |
| 4       | 5.00   |
| 5       | 0.00   |
| 6       | 0.80   |
| 7       | 1.94   |
| 8       | 4.84   |
| 9       | 3.92   |
| 10      | 2.30   |
| 11      | -      |
| 12      | 0.00   |

|    |      |
|----|------|
| 13 | 0.08 |
| 14 | 2.69 |
| 15 | 2.66 |
| 16 | 2.66 |
| 17 | 8.83 |
| 18 | 2.58 |
| 19 | 2.47 |
| 20 | 2.61 |
| 21 | 5.72 |
| 22 | 4.09 |
| 23 | 4.69 |
| 24 | 0.79 |
| 25 | 1.66 |
| 26 | 4.70 |
| 27 | 4.70 |
| 28 | 9.28 |
| 29 | 3.50 |
| 30 | 1.37 |
| 31 | 4.63 |
| 32 | 1.97 |
| 33 | 0.00 |
| 34 | 1.21 |
| 35 | 3.64 |
| 36 | 4.89 |
| 37 | 2.50 |
| 38 | 2.50 |
| 39 | 2.84 |
| 40 | 7.22 |
| 41 | 0.80 |
| 42 | 0.00 |
| 43 | 2.93 |
| 44 | 2.26 |
| 45 | 0.23 |
| 46 | 4.92 |
| 47 | 3.52 |
| 48 | 4.55 |
| 49 | 0.00 |
| 50 | 7.77 |
| 51 | 7.77 |
| 52 | 8.62 |
| 53 | 4.54 |
| 54 | 5.66 |
| 55 | 3.50 |
| 56 | 5.81 |

**IC302,TA1275AZ**

| PIN NO. | VOL(V) |
|---------|--------|
| 1       | 2.85   |
| 2       | 2.03   |
| 3       | 2.60   |
| 4       | 2.59   |
| 5       | 2.60   |
| 6       | 2.59   |
| 7       | 2.09   |
| 8       | 2.57   |
| 9       | 5.04   |
| 10      | 2.57   |
| 11      | 0.00   |
| 12      | 2.71   |
| 13      | 4.37   |
| 14      | 2.52   |
| 15      | 2.82   |
| 16      | 0.00   |
| 17      | 0.57   |
| 18      | 5.03   |
| 19      | 2.71   |
| 20      | 5.01   |
| 21      | 3.50   |

**IC501,LA7832**

| PIN NO. | VOL(V) |
|---------|--------|
| 1       | 0.00   |
| 2       | 13.85  |
| 3       | 24.70  |
| 4       | 0.79   |
| 5       | 0.67   |
| 6       | 24.58  |
| 7       | 1.55   |

**IC801,STR-F6656**

| PIN NO. | VOL(V) |
|---------|--------|
| 1       | 2.58   |
| 2       | 0.03   |
| 3       | -      |
| 4       | 16.69  |
| 5       | 0.00   |

**IC802,NJM7805FA**

| PIN NO. | VOL(V) |
|---------|--------|
| 1       | 5.04   |
| 2       | 0.00   |
| 3       | 11.99  |

**IC803,NJM7809FA(A)**

| PIN NO. | VOL(V) |
|---------|--------|
| 1       | 12.33  |
| 2       | 0.00   |
| 3       | 9.00   |

**IC804,NJM7805FA**

| PIN NO. | VOL(V) |
|---------|--------|
| 1       | 5.04   |
| 2       | 0.00   |
| 3       | 9.00   |

**IC901,TC4052BP**

| PIN NO. | VOL(V) |
|---------|--------|
| 1       | 0.00   |
| 2       | -      |
| 3       | 2.06   |
| 4       | 2.06   |
| 5       | -      |
| 6       | 0.00   |
| 7       | 0.00   |
| 8       | 0.00   |
| 9       | 6.49   |
| 10      | 6.49   |
| 11      | 0.00   |
| 12      | 0.00   |
| 13      | 0.00   |
| 14      | 0.00   |
| 15      | 0.00   |
| 16      | 9.00   |

**IC902,TC4052BP**

| PIN NO. | VOL(V) |
|---------|--------|
| 1       | 0.00   |
| 2       | -      |
| 3       | 4.01   |
| 4       | 4.01   |
| 5       | 4.88   |
| 6       | 0.00   |
| 7       | 0.00   |
| 8       | 0.00   |
| 9       | 6.49   |
| 10      | 6.49   |
| 11      | 4.01   |
| 12      | 0.00   |
| 13      | 4.01   |
| 14      | 4.88   |
| 15      | -      |
| 16      | 9.00   |

**IC651,NJM4558DD**

| PIN NO. | VOL(V) |
|---------|--------|
| 1       | 24.17  |
| 2       | 0.00   |
| 3       | 0.00   |
| 4       | 0.00   |
| 5       | 7.77   |
| 6       | 7.80   |
| 7       | 2.84   |
| 8       | 24.59  |

**IC701,MSP3417D**

| PIN NO. | VOL(V) |
|---------|--------|
| 1       | 0.88   |
| 2~4     | 0.00   |
| 5~6     | 4.81   |
| 7~8     | 4.70   |
| 9~10    | 2.34   |
| 11      | 2.30   |
| 12      | 0.73   |
| 13      | 0.60   |
| 14      | 0.37   |
| 15      | 0.30   |
| 16      | 4.74   |
| 17      | 0.00   |
| 18      | 0.10   |
| 19      | 0.03   |
| 20      | 5.03   |
| 21~22   | 0.07   |
| 23      | 0.00   |
| 24~25   | 2.05   |
| 26      | 0.04   |
| 27~28   | 3.73   |
| 29      | 0.00   |
| 30~31   | 3.73   |
| 32      | 0.04   |
| 33      | 7.86   |
| 34      | 6.07   |
| 35      | 0.00   |
| 36      | 3.67   |
| 37~40   | -      |
| 41~42   | 3.70   |
| 43      | 2.56   |
| 44      | 3.70   |
| 45      | 0.00   |
| 46      | 4.78   |
| 47~48   | 1.51   |
| 49      | 0.03   |
| 50      | 0.00   |
| 51      | 2.33   |
| 52      | 2.20   |

**IC401,MM1454XD**

| PIN NO. | VOL(V) |
|---------|--------|
| 1       | 4.10   |
| 2       | 4.10   |
| 3       | 0.00   |
| 4       | 0.12   |
| 5       | 4.11   |
| 6       | 4.12   |
| 7       | 4.12   |
| 8       | 0.00   |
| 9       | 4.11   |
| 10      | 4.11   |
| 11      | 4.11   |
| 12      | 4.11   |
| 13      | 4.12   |
| 14      | 4.79   |
| 15      | 4.10   |
| 16      | 9.00   |

**IC402,NJM2150**

| PIN NO. | VOL(V) |
|---------|--------|
| 1~7     | 4.44   |
| 8~10    | 0.01   |
| 11      | 0.00   |
| 12      | 9.00   |
| 13~20   | 4.44   |

**IC403,M62420SP**

| PIN NO. | VOL(V) |
|---------|--------|
| 1       | 4.43   |
| 2       | 4.40   |
| 3       | 4.38   |
| 4       | 4.44   |
| 5       | 4.10   |
| 6       | 4.10   |
| 7       | 4.43   |
| 8       | 0.00   |
| 9       | 4.70   |
| 10      | 4.70   |
| 11      | 5.03   |
| 12      | 5.04   |
| 13      | 0.00   |
| 14      | 4.43   |
| 15      | 4.09   |
| 16      | 4.10   |
| 17      | 4.44   |
| 18      | 4.38   |
| 19      | 4.40   |
| 20      | 9.00   |

**IC404,LA6458SLL**

| PIN NO. | VOL(V) |
|---------|--------|
| 1       | 9.00   |
| 2       | 4.44   |
| 3       | 4.44   |
| 4       | 4.43   |
| 5       | 0.00   |
| 6       | 4.43   |
| 7       | 4.44   |
| 8       | 4.44   |
| 9       | 9.00   |

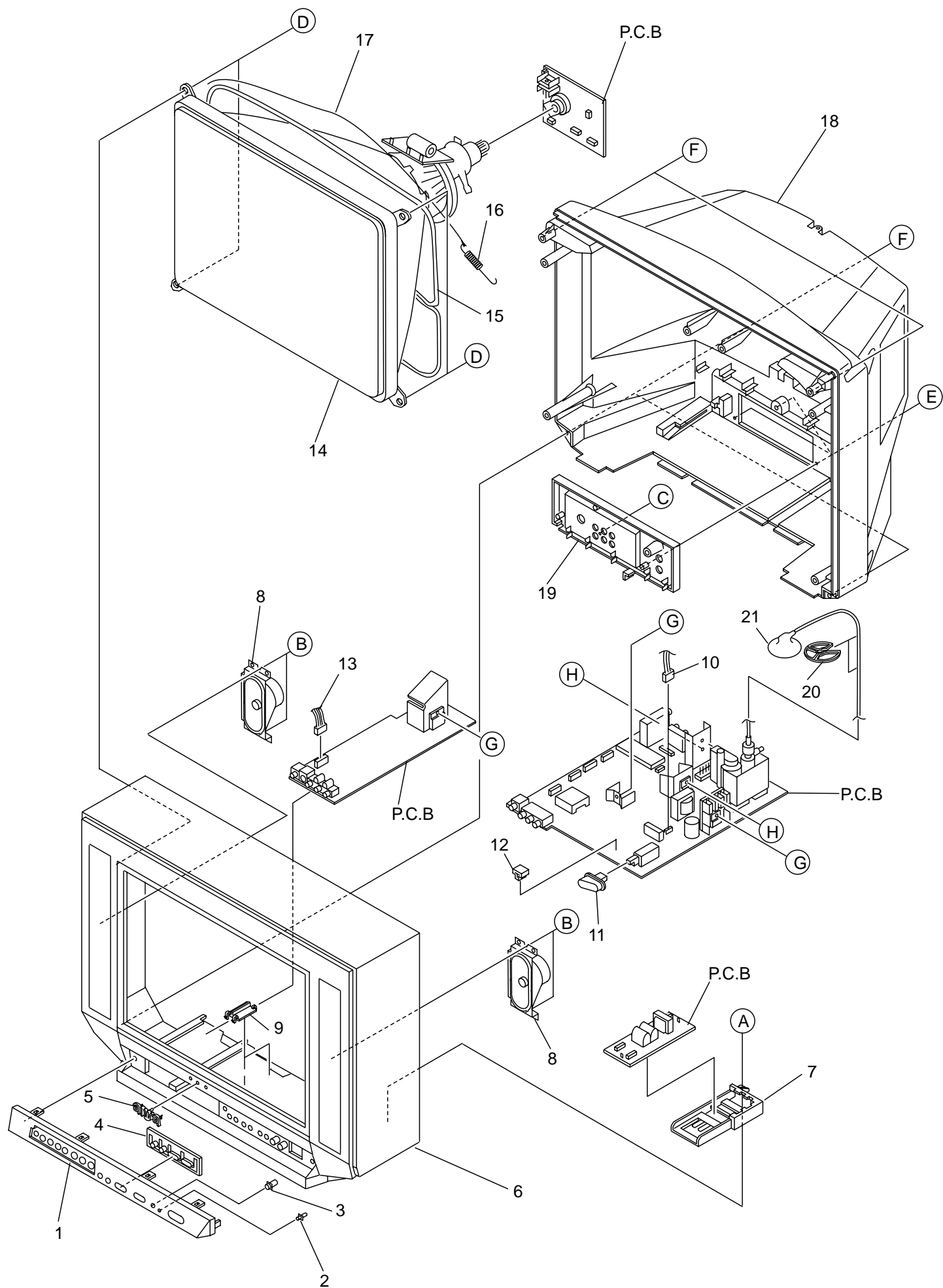
**IC409,MM1124B**

| PIN NO. | VOL(V) |
|---------|--------|
| 1       | 4.43   |
| 2       | 4.42   |
| 3       | 4.38   |
| 4       | 4.44   |
| 5       | 4.43   |
| 6       | 4.47   |
| 7       | 0.64   |
| 8       | 0.00   |
| 9       | 0.17   |
| 10      | -      |
| 11      | 4.49   |
| 12      | 4.43   |
| 13      | 4.44   |
| 14      | 4.38   |
| 15      | 4.42   |
| 16      | 9.00   |

**IC410,AN5277**

| PIN NO. | VOL(V) |
|---------|--------|
| 1       | -      |
| 2       | 0.00   |
| 3       | 24.24  |
| 4       | 0.00   |
| 5       | 0.00   |
| 6       | -      |
| 7       | 12.12  |
| 8       | 0.14   |
| 9       | 0.00   |
| 10      | 25.42  |
| 11      | 11.11  |
| 12      | 12.13  |

MECHANICAL EXPLODED VIEW 1 / 1





# MECHANICAL PARTS LIST 1 / 1

| REF. NO. | PART NO.       | KANRI NO.      | DESCRIPTION               |
|----------|----------------|----------------|---------------------------|
| 1        | 8A-JEH-002-010 |                | PANEL,MAIN 2              |
| 2        | 8Z-JE7-005-010 |                | LENS,LED                  |
| 3        | 8Z-JE7-006-010 |                | LENS,RC                   |
| 4        | 8Z-JE7-003-010 |                | KEY,MAIN                  |
| 5        | 8Z-JE7-008-010 |                | BADGE,AIWA ST 52.5        |
| 6        | 8Z-JE7-001-010 |                | CABI,FR                   |
| 7        | 8Z-JE7-201-010 |                | HLLDR,PWB                 |
| 8        | 8Z-JB4-620-010 |                | SPKR,6X12 8 OHM 10W       |
| 9        | 8Z-JE7-204-010 |                | HLLDR,PWB 2               |
| △        | 10             | 8Z-JB4-695-010 | AC CORD SET,EH BLK        |
| 11       | 8A-JEH-004-010 |                | BTN,POWER 2               |
| 12       | 84-LB3-216-010 |                | HLLDR,LED                 |
| 13       | 8Z-JBX-602-010 |                | CONN ASSY,4P SP 205-0.5   |
| △        | 14             | 8A-JEH-606-010 | CRT, FLAT-LG              |
| △        | 15             | 87-JBN-630-010 | DGC,21PAL 7JB-22          |
| 16       | 83-JT1-217-010 |                | SPR-E,EARTH               |
| 17       | 8Z-JE7-607-010 |                | CONN ASSY,1P CRT-GND      |
| 18       | 8Z-JE7-012-010 |                | CABI,REAR                 |
| 19       | 8A-JEH-007-010 |                | PANEL,REAR 2              |
| 20       | 87-A90-332-010 |                | HLLDR,SF-2001 HV CABLE    |
| 21       | 8Z-JE7-609-010 |                | ANODE-CAP,ZJE-7           |
| A        | 87-067-680-010 |                | BVI T3+3-10               |
| B        | 87-078-070-010 |                | BVIT3B+4-12               |
| C        | 87-067-761-010 |                | TAPPING SCREW, BVT2+3-10  |
| D        | 86-LBB-206-010 |                | S-SCREW,ASSY TV5-40 W20   |
| E        | 87-067-690-010 |                | TAPPING SCREW, BVIT3+3-12 |
| F        | 87-067-844-010 |                | BVT2+4-16 BLK             |
| G        | 87-067-579-010 |                | TAPPING SCREW, BVT2+3-8   |
| H        | 87-067-758-010 |                | BVT2+3-12 W/O SLOT        |

## COLOR NAME TABLE

| Basic color symbol | Color             | Basic color symbol | Color              | Basic color symbol | Color              |
|--------------------|-------------------|--------------------|--------------------|--------------------|--------------------|
| B                  | Black             | C                  | Cream              | D                  | Orange             |
| G                  | Green             | H                  | Gray               | L                  | Blue               |
| LT                 | Transparent Blue  | N                  | Gold               | P                  | Pink               |
| R                  | Red               | S                  | Silver             | ST                 | Titan Silver       |
| T                  | Brown             | V                  | Violet             | W                  | White              |
| WT                 | Transparent White | Y                  | Yellow             | YT                 | Transparent Yellow |
| LM                 | Metallic Blue     | LL                 | Light Blue         | GT                 | Transparent Green  |
| LD                 | Dark Blue         | DT                 | Transparent Orange | GM                 | Metallic Green     |
| YM                 | Metallic Yellow   | DM                 | Metallic Orange    |                    |                    |

**アイワ株式会社** 〒110-8710 東京都台東区池之端1-2-11 ☎03(3827)3111 (代表)  
**AIWA CO.,LTD.** 2-11, IKENOHATA 1-CHOME, TAITO-KU, TOKYO 110, JAPAN TEL:03 (3827) 3111